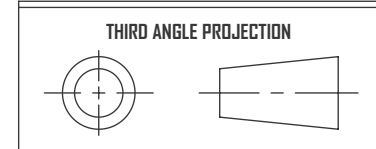
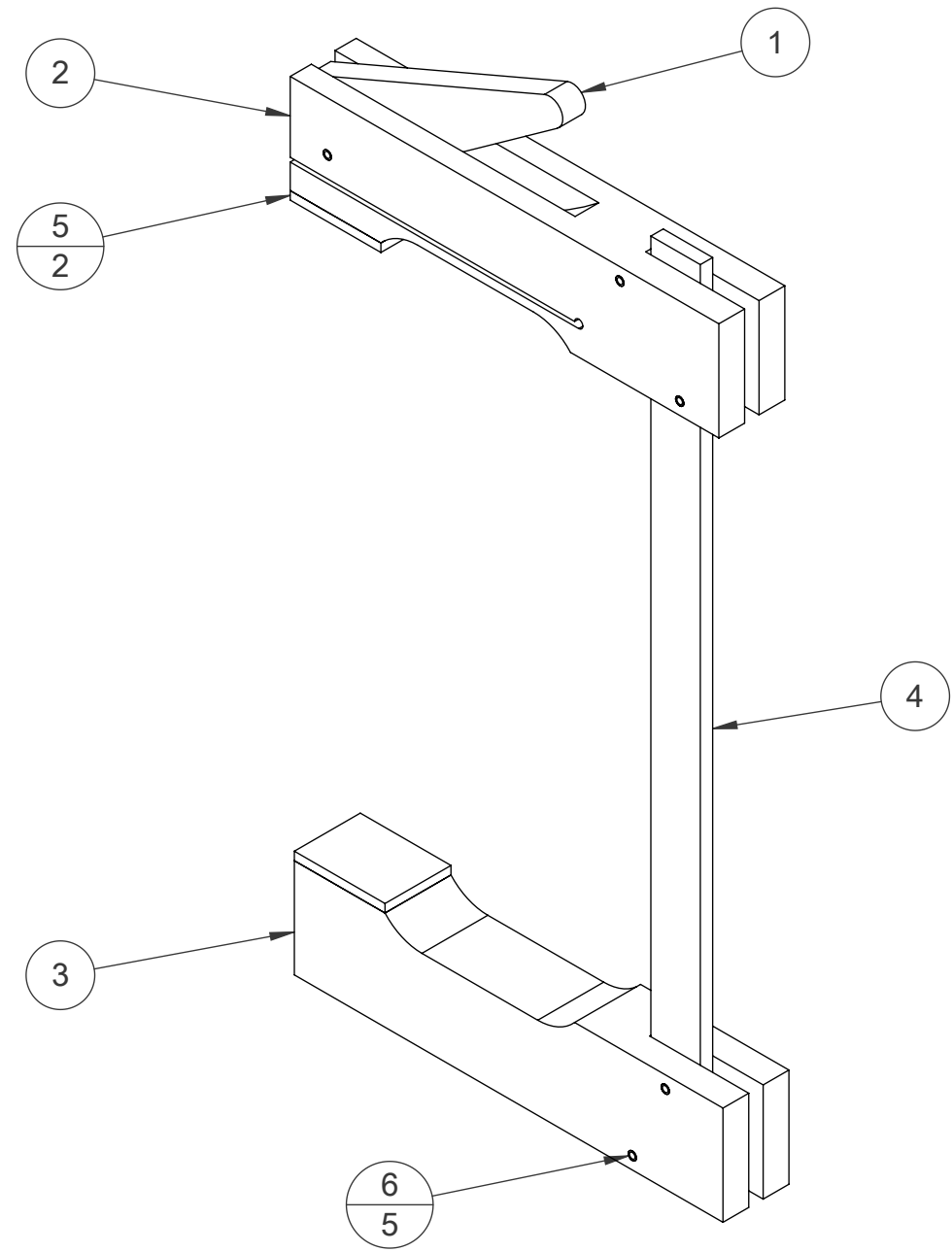



CONFIDENTIALITY
 THE CONTENTS OF THIS DRAWING INCLUDE CONFIDENTIAL INFORMATION WHICH IS THE SOLE PROPERTY OF MP DESIGN, LLC (DBA WOOD SHOP MIKE) ANY USE, DISCLOSURE OR REPRODUCTION OF THIS DRAWING, IN WHOLE OR IN PART, WITHOUT THE PRIOR WRITTEN AUTHORIZATION OF MP DESIGN, LLC (DBA WOOD SHOP MIKE) IS STRICTLY PROHIBITED.

| | PART NUMBER | DESCRIPTION | QTY. |
|---|--------------------|----------------------|------|
| 1 | CL-99-01 | CLAMP, CAM | 1 |
| 2 | CL-99-02 | CLAMP. TOP | 1 |
| 3 | CL-99-03 | CLAMP, BOTTOM | 1 |
| 4 | CL-99-04 | CLAMP, BAR | 1 |
| 5 | CL-99-05 | CLAMP, CORK | 2 |
| 6 | MCMASTER 98296A883 | SPLIT PIN, 1/8" X 1" | 5 |



| | | | | |
|--|-----------|---|--------------------------------|------------------|
| APPROVALS | DATE |  WOOD SHOP MIKE Raleigh, North Carolina United States of America www.woodshopmike.com | CAM CLAMP ASSEMBLY | |
| DRAWN M.POORMAN | 4-21-2015 | | | |
| DESIGN M.POORMAN | 4-21-2015 | TITLE | | |
| | | SIZE B | DRAWING NO. CL-88-01 | REV 00 |
| NEXT ASSY | SYSTEM | SCALE 1:2 | MATL | SHEET 1 OF 1 |
| www.woodshopmike.com | | | | |