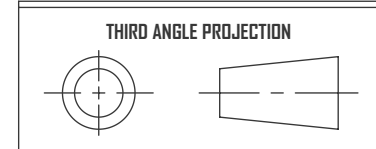
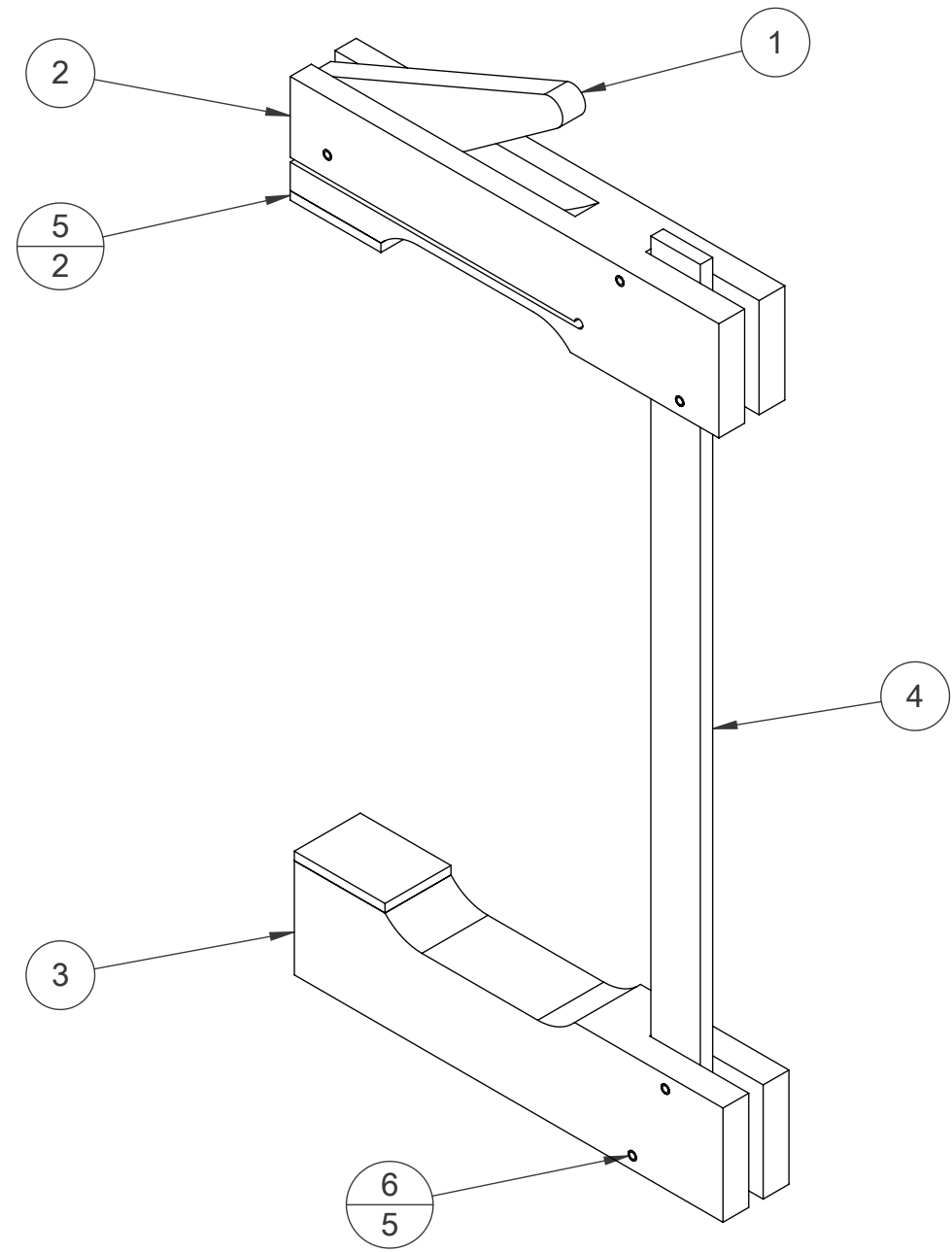



CONFIDENTIALITY
 THE CONTENTS OF THIS DRAWING INCLUDE CONFIDENTIAL INFORMATION WHICH IS THE SOLE PROPERTY OF MP DESIGN, LLC (DBA WOOD SHOP MIKE) ANY USE, DISCLOSURE OR REPRODUCTION OF THIS DRAWING, IN WHOLE OR IN PART, WITHOUT THE PRIOR WRITTEN AUTHORIZATION OF MP DESIGN, LLC (DBA WOOD SHOP MIKE) IS STRICTLY PROHIBITED.

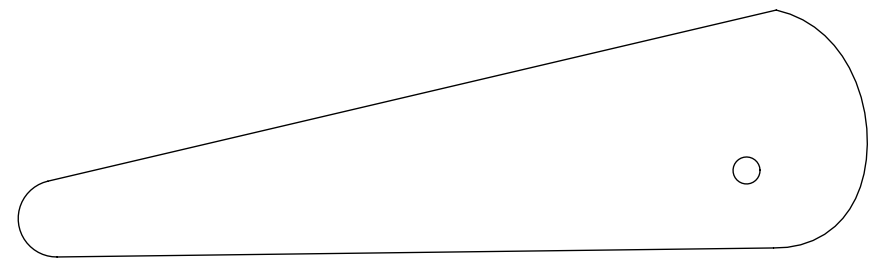
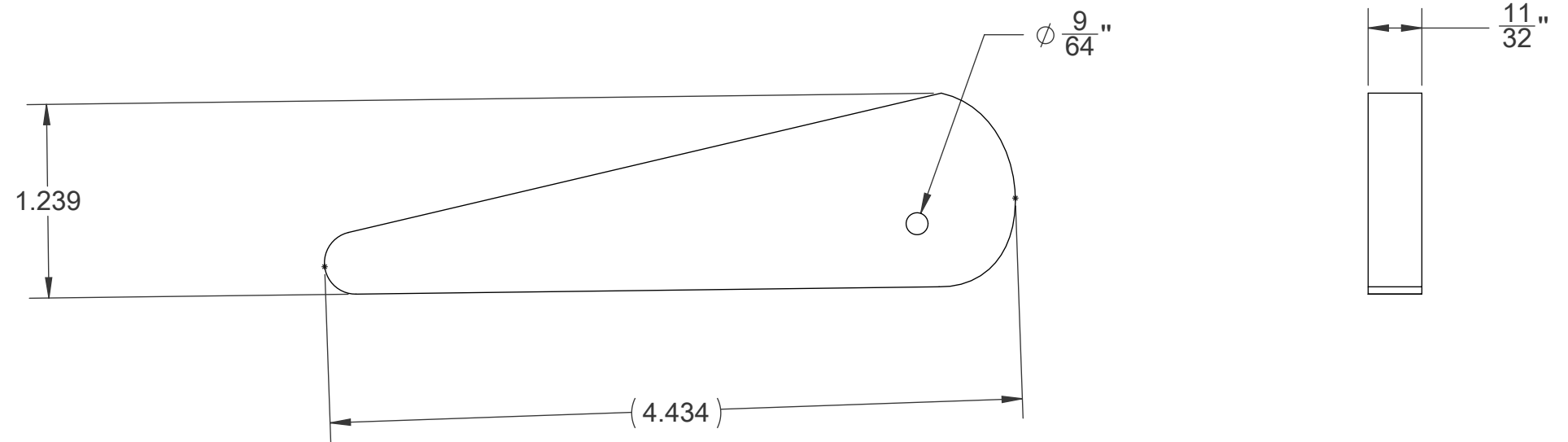
	PART NUMBER	DESCRIPTION	QTY.
1	CL-99-01	CLAMP, CAM	1
2	CL-99-02	CLAMP. TOP	1
3	CL-99-03	CLAMP, BOTTOM	1
4	CL-99-04	CLAMP, BAR	1
5	CL-99-05	CLAMP, CORK	2
6	MCMASTER 98296A883	SPLIT PIN, 1/8" X 1"	5




APPROVALS	DATE	 WOOD SHOP MIKE Raleigh, North Carolina United States of America www.woodshopmike.com	CAM CLAMP ASSEMBLY	
DRAWN M.POORMAN	4-21-2015			
DESIGN M.POORMAN	4-21-2015	TITLE		
		SIZE B	DRAWING NO. CL-88-01	REV 00
NEXT ASSY	SYSTEM	SCALE 1:2	MATL	SHEET 1 OF 1
www.woodshopmike.com				

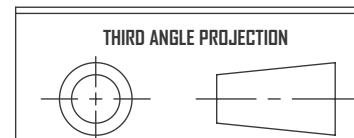
CONFIDENTIALITY

THE CONTENTS OF THIS DRAWING INCLUDE CONFIDENTIAL INFORMATION WHICH IS THE SOLE PROPERTY OF MP DESIGN, LLC (DBA WOOD SHOP MIKE) ANY USE, DISCLOSURE OR REPRODUCTION OF THIS DRAWING, IN WHOLE OR IN PART, WITHOUT THE PRIOR WRITTEN AUTHORIZATION OF MP DESIGN, LLC (DBA WOOD SHOP MIKE) IS STRICTLY PROHIBITED.



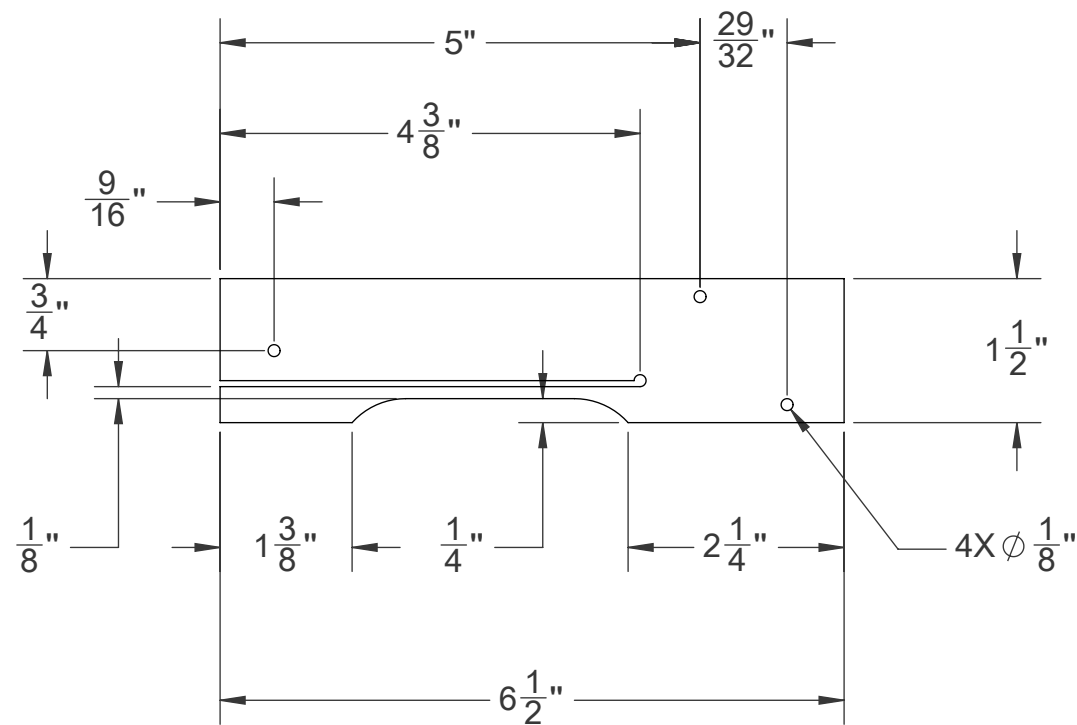
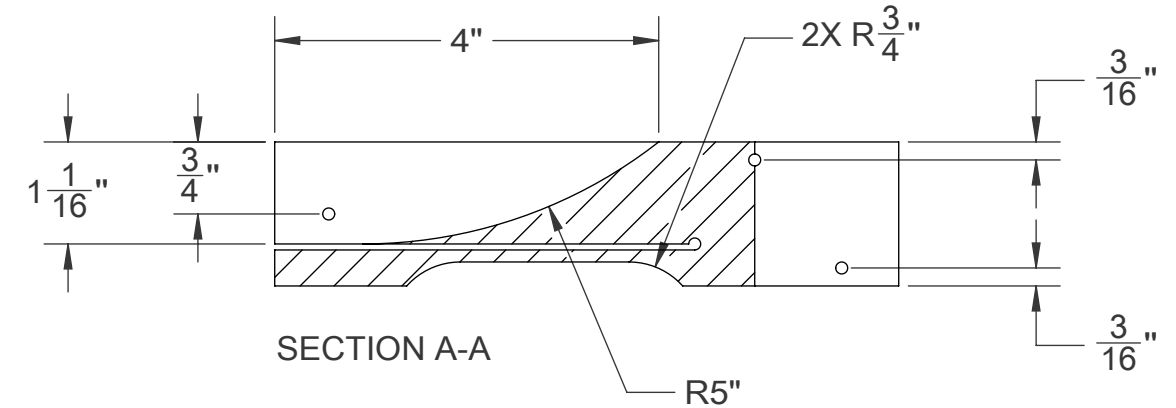
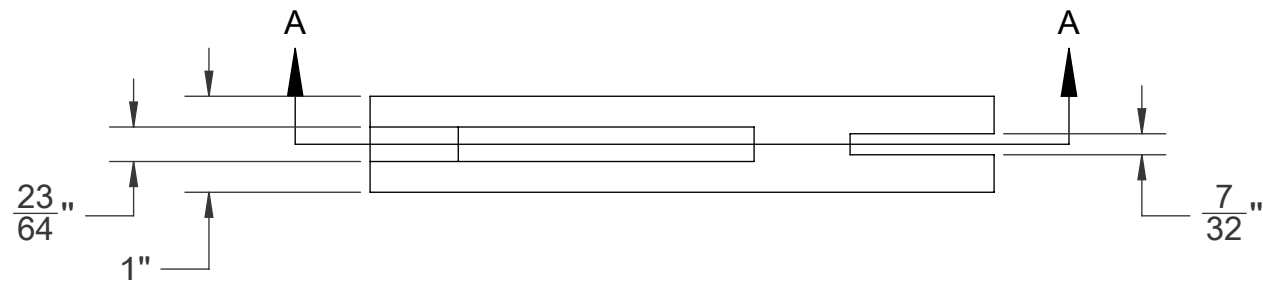
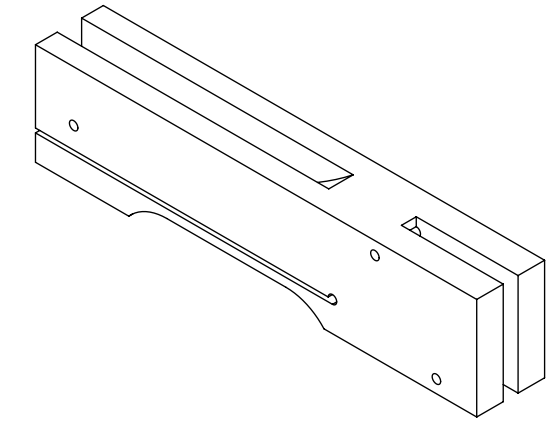
CUT OUT THIS VIEW AND USE AS A TEMPLATE


APPROVALS	DATE	 WOOD SHOP MIKE Raleigh, North Carolina United States of America WWW.WOODSHOPMIKE.COM
DRAWN M.POORMAN	4-21-2015	
DESIGN M.POORMAN	4-21-2015	TITLE CLAMP, CAM
		SIZE B
		DRAWING NO. CL-99-01
		REV 00
		SCALE 1:1
		MATL HARDWOOD
		SHEET 1 OF 1
		www.woodshopmike.com

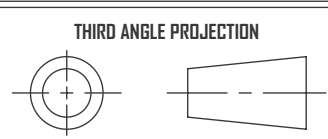


CONFIDENTIALITY

THE CONTENTS OF THIS DRAWING INCLUDE CONFIDENTIAL INFORMATION WHICH IS THE SOLE PROPERTY OF MP DESIGN, LLC (DBA WOOD SHOP MIKE) ANY USE, DISCLOSURE OR REPRODUCTION OF THIS DRAWING, IN WHOLE OR IN PART, WITHOUT THE PRIOR WRITTEN AUTHORIZATION OF MP DESIGN, LLC (DBA WOOD SHOP MIKE) IS STRICTLY PROHIBITED.

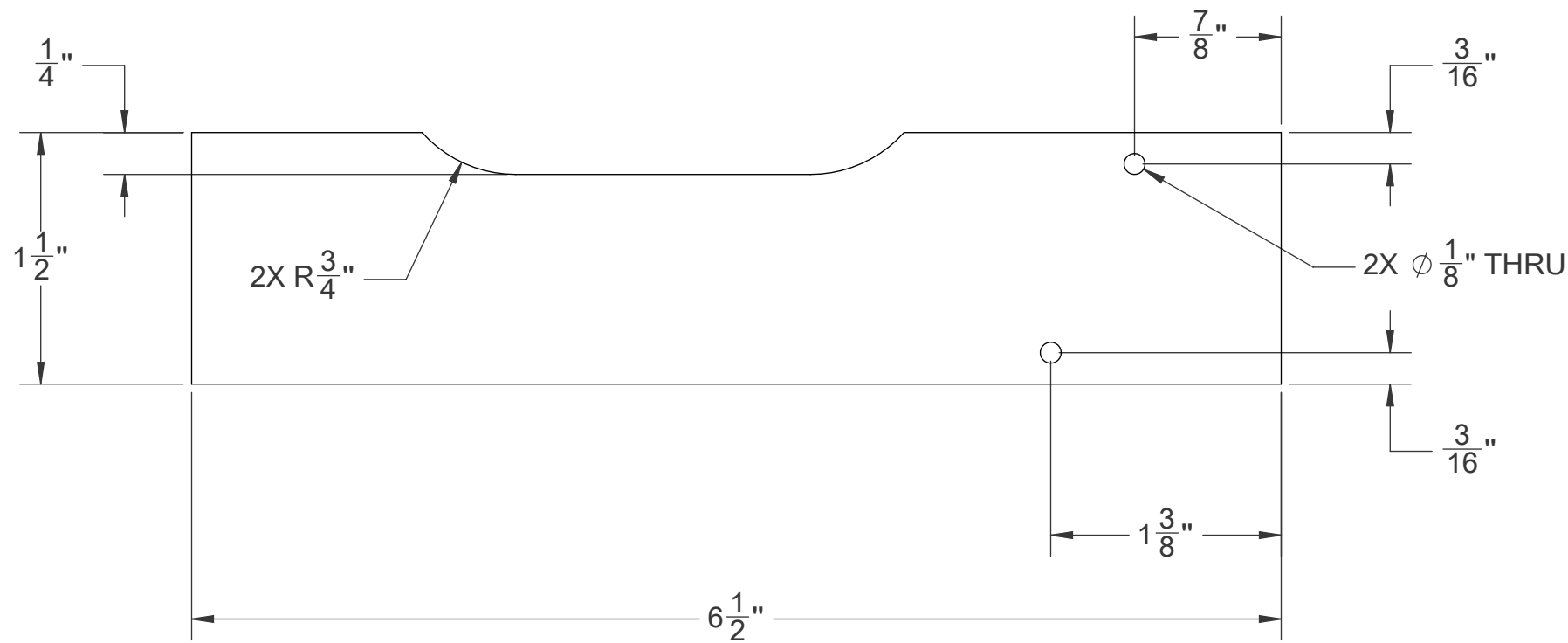
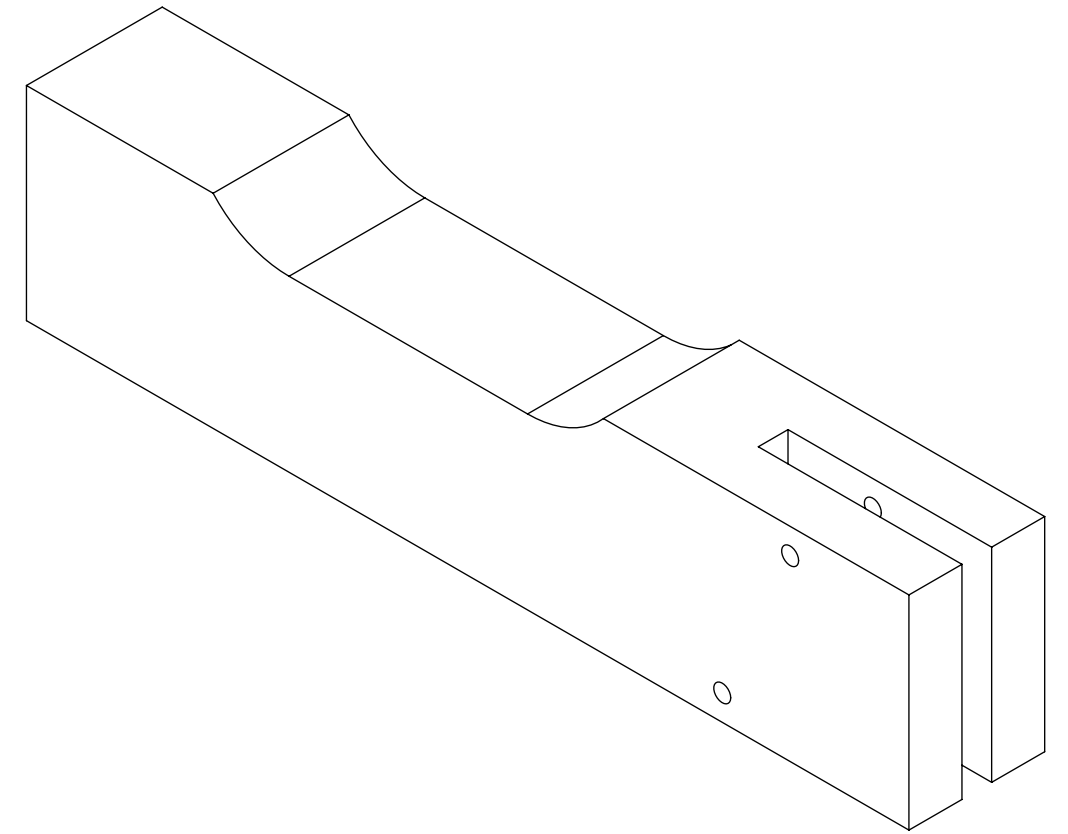


APPROVALS	DATE	 WOOD SHOP MIKE Raleigh, North Carolina United States of America WWW.WOODSHOPMIKE.COM
DRAWN M. POORMAN	4-21-2015	
DESIGN M. POORMAN	4-21-2015	TITLE CLAMP. TOP
NEXT ASSY	SYSTEM	SIZE B
www.woodshopmike.com	SCALE 1:2	DRAWING NO. CL-99-02
	MATL HARDWOOD	REV 00
	SHEET 1 OF 1	




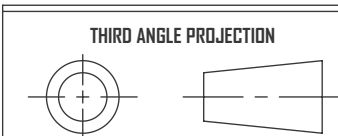
CONFIDENTIALITY

THE CONTENTS OF THIS DRAWING INCLUDE CONFIDENTIAL INFORMATION WHICH IS THE SOLE PROPERTY OF MP DESIGN, LLC (DBA WOOD SHOP MIKE) ANY USE, DISCLOSURE OR REPRODUCTION OF THIS DRAWING, IN WHOLE OR IN PART, WITHOUT THE PRIOR WRITTEN AUTHORIZATION OF MP DESIGN, LLC (DBA WOOD SHOP MIKE) IS STRICTLY PROHIBITED.



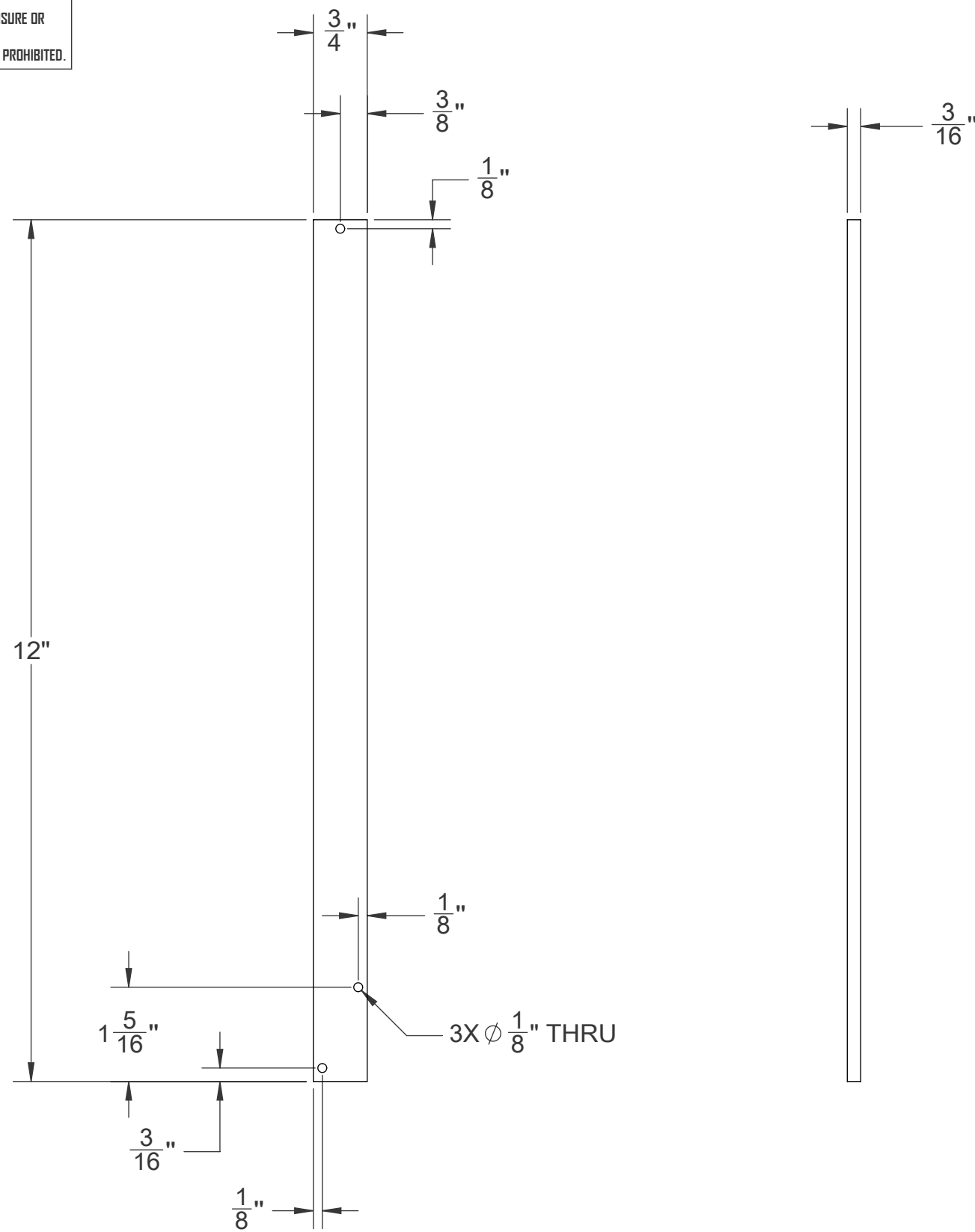
2X ϕ 1/8" THRU


APPROVALS	DATE	 WOOD SHOP MIKE Raleigh, North Carolina United States of America WWW.WOODSHOPMIKE.COM		
DRAWN M.POORMAN	4-21-2015			
DESIGN M.POORMAN	4-21-2015	TITLE		
		CLAMP, BOTTOM		
NEXT ASSY	SYSTEM	SIZE	DRAWING NO.	REV
www.woodshopmike.com		B	CL-99-03	00
SCALE	1:1	MATL	HARDWOOD	SHEET 1 OF 1

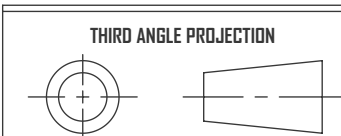


CONFIDENTIALITY

THE CONTENTS OF THIS DRAWING INCLUDE CONFIDENTIAL INFORMATION WHICH IS THE SOLE PROPERTY OF MP DESIGN, LLC (DBA WOOD SHOP MIKE) ANY USE, DISCLOSURE OR REPRODUCTION OF THIS DRAWING, IN WHOLE OR IN PART, WITHOUT THE PRIOR WRITTEN AUTHORIZATION OF MP DESIGN, LLC (DBA WOOD SHOP MIKE) IS STRICTLY PROHIBITED.

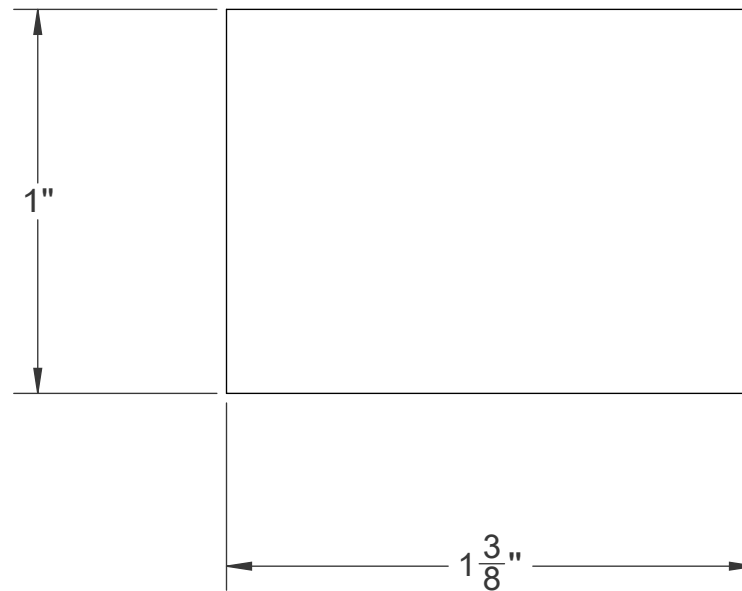
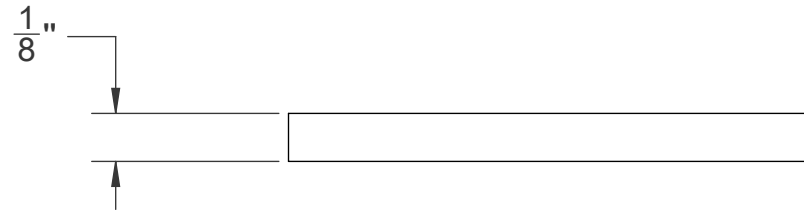
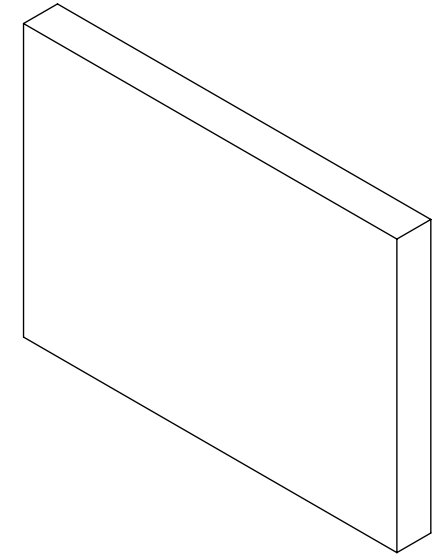


APPROVALS	DATE	 WOOD SHOP MIKE Raleigh, North Carolina United States of America www.woodshopmike.com
DRAWN M.POORMAN	4-21-2015	
DESIGN M.POORMAN	4-21-2015	TITLE CLAMP, BAR
		SIZE: B DRAWING NO.: CL-99-04 REV: 00
NEXT ASSY	SYSTEM	SCALE: 1:2 MATL: STEEL SHEET: 1 OF 1
www.woodshopmike.com		

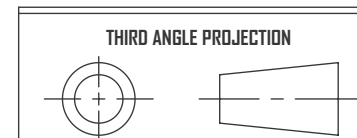



CONFIDENTIALITY

THE CONTENTS OF THIS DRAWING INCLUDE CONFIDENTIAL INFORMATION WHICH IS THE SOLE PROPERTY OF MP DESIGN, LLC (DBA WOOD SHOP MIKE) ANY USE, DISCLOSURE OR REPRODUCTION OF THIS DRAWING, IN WHOLE OR IN PART, WITHOUT THE PRIOR WRITTEN AUTHORIZATION OF MP DESIGN, LLC (DBA WOOD SHOP MIKE) IS STRICTLY PROHIBITED.



NOTE:
CUT FROM ADHESIVE BACKED CORK



APPROVALS	DATE	 WOOD SHOP MIKE Raleigh, North Carolina United States of America www.woodshopmike.com WWW.WOODSHOPMIKE.COM
DRAWN M.POORMAN	4-21-2015	
DESIGN M.POORMAN	4-21-2015	TITLE CLAMP, CORK
		SIZE B
		DRAWING NO. CL-99-05
		REV 00
NEXT ASSY	SYSTEM	SCALE 2:1
www.woodshopmike.com		MATL CORK
		SHEET 1 OF 1