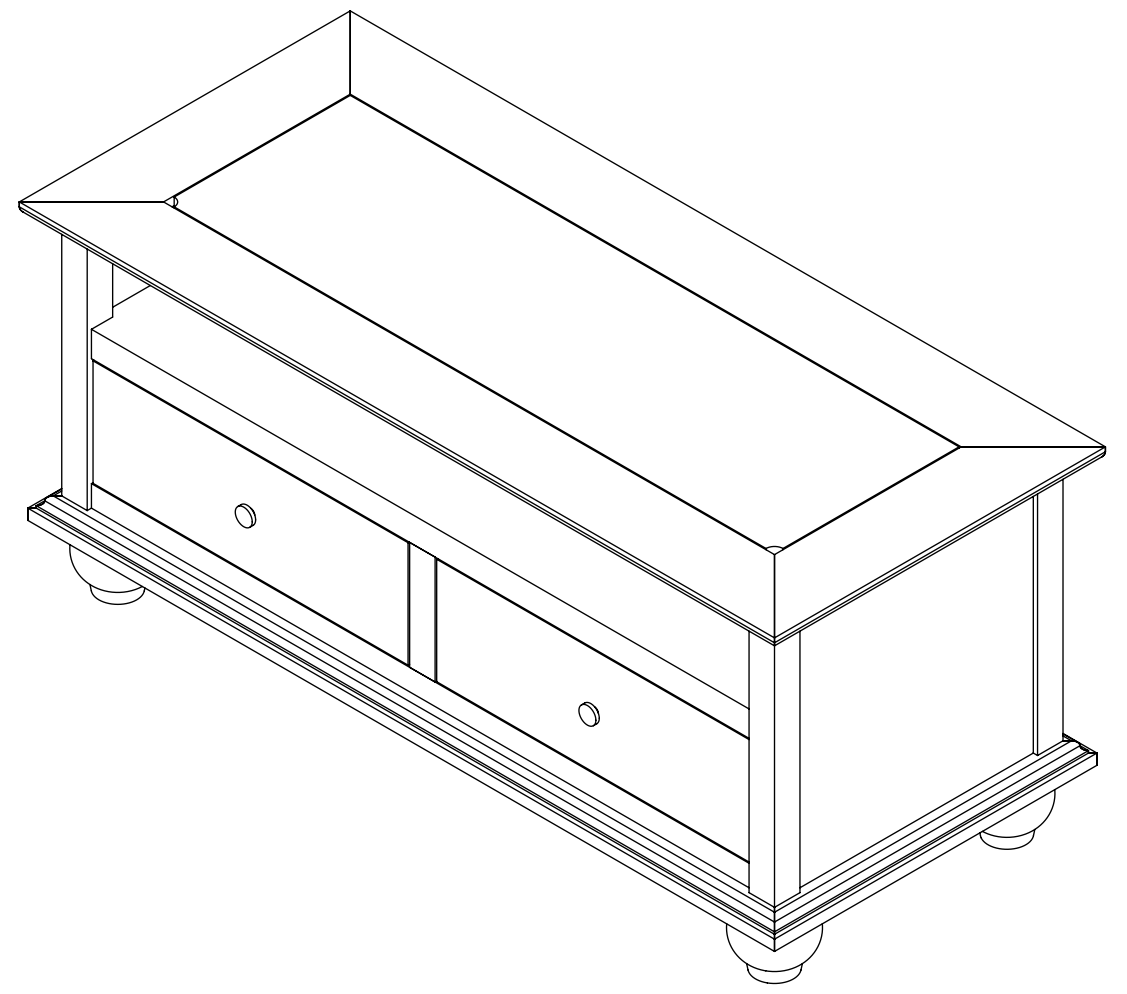

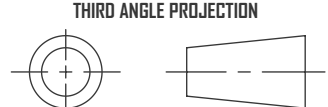


CONFIDENTIALITY
 THE CONTENTS OF THIS DRAWING INCLUDE CONFIDENTIAL INFORMATION WHICH IS THE SOLE PROPERTY OF MP DESIGN, LLC (DBA WOOD SHOP MIKE) ANY USE, DISCLOSURE OR REPRODUCTION OF THIS DRAWING, IN WHOLE OR IN PART, WITHOUT THE PRIOR WRITTEN AUTHORIZATION OF MP DESIGN, LLC (DBA WOOD SHOP MIKE) IS STRICTLY PROHIBITED.

	PART NUMBER	DESCRIPTION	QTY.
1	TV-88-02	DRAWER BOX	2
2	TV-99-01	CORNER RAIL, FRONT LEFT	1
3	TV-99-02	CORNER RAIL, FRONT RIGHT	1
4	TV-99-03	CORNER RAIL, BACK LEFT	1
5	TV-99-04	CORNER RAIL, BACK RIGHT	1
6	TV-99-05	TOP RAIL, SIDES	2
7	TV-99-06	TOP RAIL, FRONT & BACK	2
8	TV-99-07	BOTTOM RAIL, SIDES	2
9	TV-99-08	BOTTOM RAIL, FRONT & BACK	2
10	TV-99-09	SIDES	2
11	TV-99-10	BOTTOM FACE FRAME	1
12	TV-99-11	CENTER FACE FRAME	1
13	TV-99-12	DIVIDER	1
14	TV-99-13	SHELF	1
15	TV-99-14	TOP INSERT	1
16	TV-99-15	INSERT SUPPORT	1
17	TV-99-16	INSERT SUPPORT LEFT & RIGHT	2
18	TV-99-17	FEET	4
19	TV-99-18	DRAWER SLIDE SPACER, THICK	2
20	TV-99-19	DRAWER SLIDE SPACER, THIN	2
21	TV-99-20	BACK	1
22	MCMASTER 2712A300	SOFT CLOSE DRAWER SLIDE	4
23	MCMASTER 90016A029	1/4-20 THREADED INSERT	4
24	MCMASTER 95475A546	ALL THREAD STUD, 1/4-20 X 1.5	4

NOTE:
 INSTALL THREADED INSERTS ONCE CASE HAS BEEN ASSEMBLED.



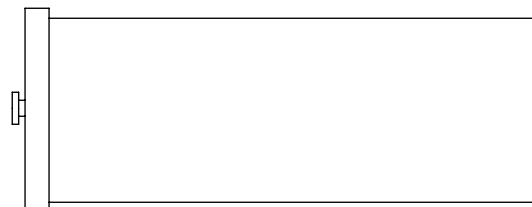
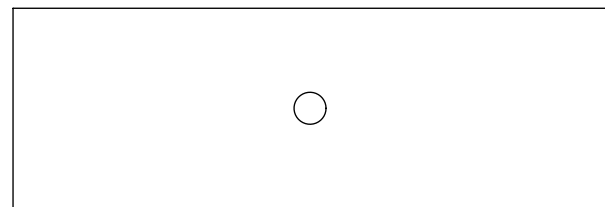
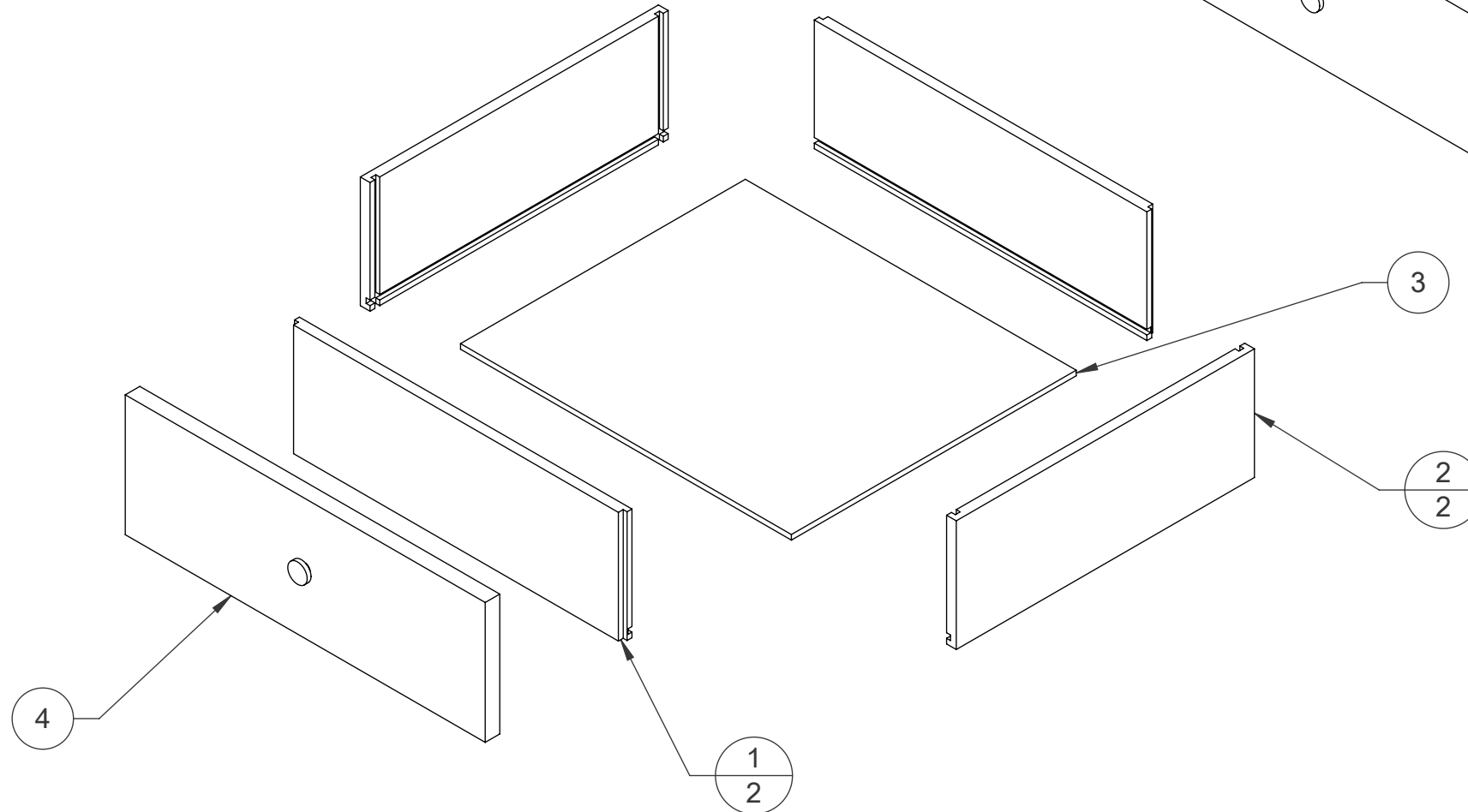
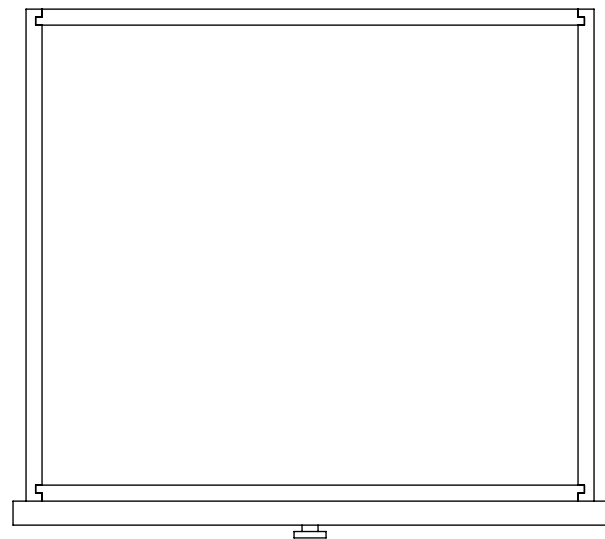
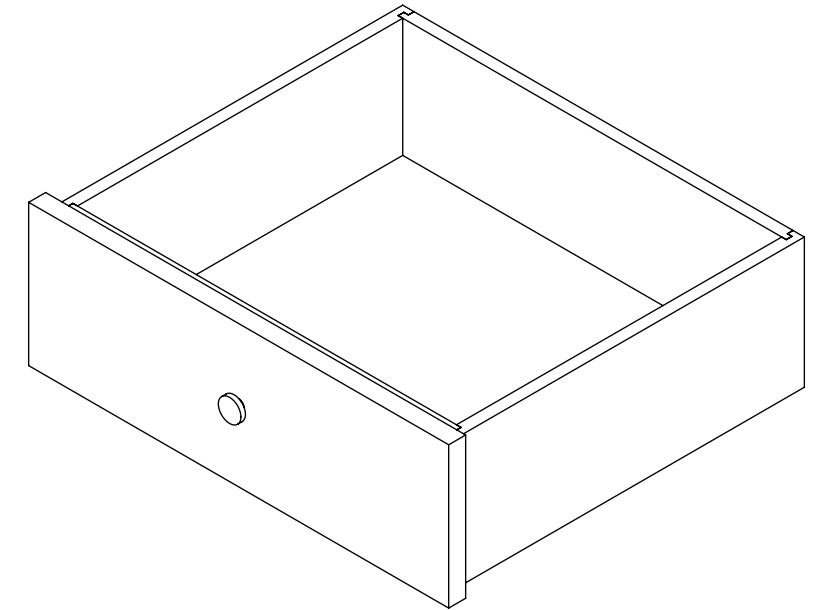
DO NOT SCALE FROM DRAWING IMPERIAL DRAWING ALL DIMENSIONS IN INCHES TOLERANCES UNLESS OTHERWISE SPECIFIED LINEAR X ± 1/4 X.X ± 1/8 X.XX ± 1/16 X.XXX ± 1/32 ANGULAR ± P	APPROVALS DRAWN M.POORMAN	DATE 5-27-2014	 WOOD SHOP MIKE Raleigh, North Carolina United States of America www.woodshopmike.com woodshopmikestudio.etsy.com
	DESIGN M.POORMAN	DATE 2-20-2014	
	NEXT ASSY www.woodshopmike.com	SYSTEM 	SIZE B
		DRAWING NO. TV-88-01	REV 00
		SCALE 1:8	MATL
		SHEET 1	OF 1

CONFIDENTIALITY

THE CONTENTS OF THIS DRAWING INCLUDE CONFIDENTIAL INFORMATION WHICH IS THE SOLE PROPERTY OF MP DESIGN, LLC (DBA WOOD SHOP MIKE) ANY USE, DISCLOSURE OR REPRODUCTION OF THIS DRAWING, IN WHOLE OR IN PART, WITHOUT THE PRIOR WRITTEN AUTHORIZATION OF MP DESIGN, LLC (DBA WOOD SHOP MIKE) IS STRICTLY PROHIBITED.

PARTS LIST

QTY	ITEM	PartNo	DESCRIPTION
2	1	TV-99-21	DRAWER BOX, FRONT & BACK
2	2	TV-99-22	DRAWER BOX, SIDES
1	3	TV-99-23	DRAWER BOTTOM
1	4	TV-99-24	DRAWER FRONT



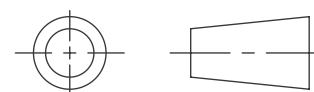
DO NOT SCALE FROM DRAWING

IMPERIAL DRAWING
ALL DIMENSIONS IN INCHES

TOLERANCES UNLESS
OTHERWISE SPECIFIED

LINEAR	
X	± 1/4
X.X	± 1/8
X.XX	± 1/16
X.XXX	± 1/32
ANGULAR	±P

THIRD ANGLE PROJECTION



APPROVALS

DATE

DRAWN
M.POORMAN

2-27-2014

DESIGN
M.POORMAN

2-20-2014

NEXT ASSY

SYSTEM

www.woodshopmike.com



WOOD SHOP MIKE

Raleigh, North Carolina
United States of America
woodshopmikestudio.etsy.com

www.woodshopmike.com

TITLE

DRAWER BOX

SIZE

DRAWING NO.

REV

B

TV-88-02

00

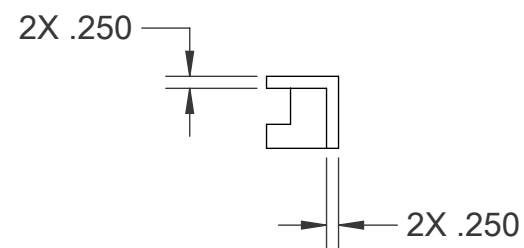
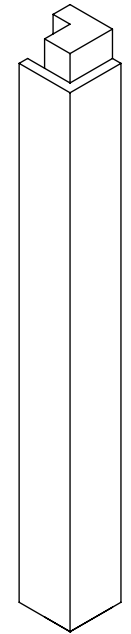
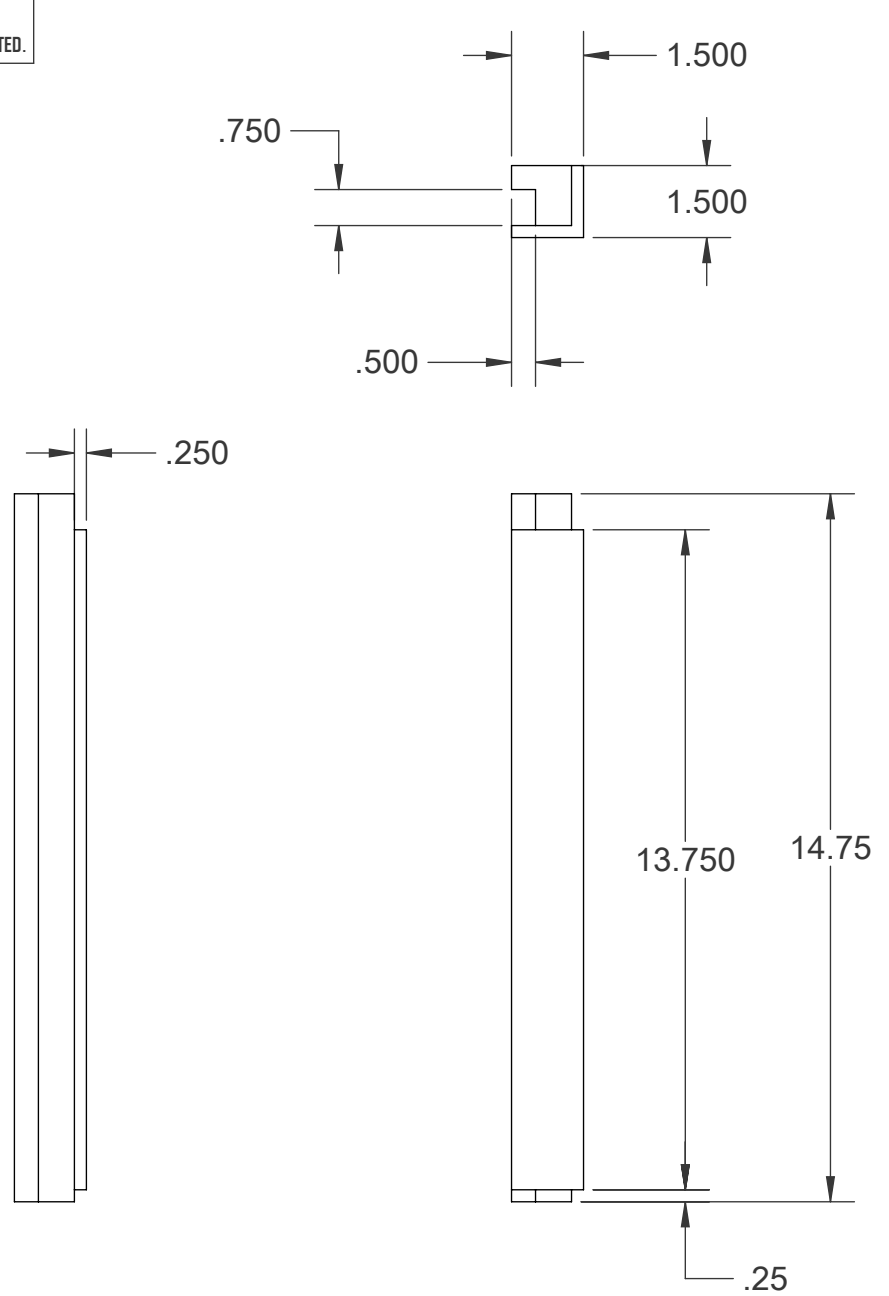
SCALE 1:6

MATL


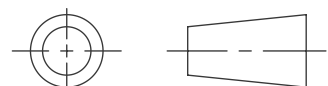
SHEET 1 OF 1

CONFIDENTIALITY

THE CONTENTS OF THIS DRAWING INCLUDE CONFIDENTIAL INFORMATION WHICH IS THE SOLE PROPERTY OF MP DESIGN, LLC (DBA WOOD SHOP MIKE) ANY USE, DISCLOSURE OR REPRODUCTION OF THIS DRAWING, IN WHOLE OR IN PART, WITHOUT THE PRIOR WRITTEN AUTHORIZATION OF MP DESIGN, LLC (DBA WOOD SHOP MIKE) IS STRICTLY PROHIBITED.

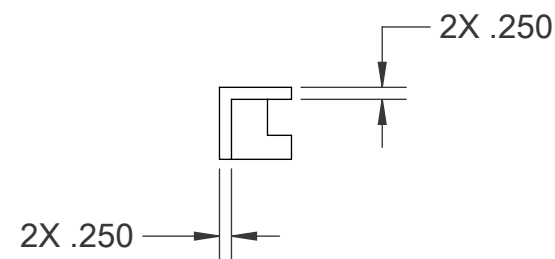
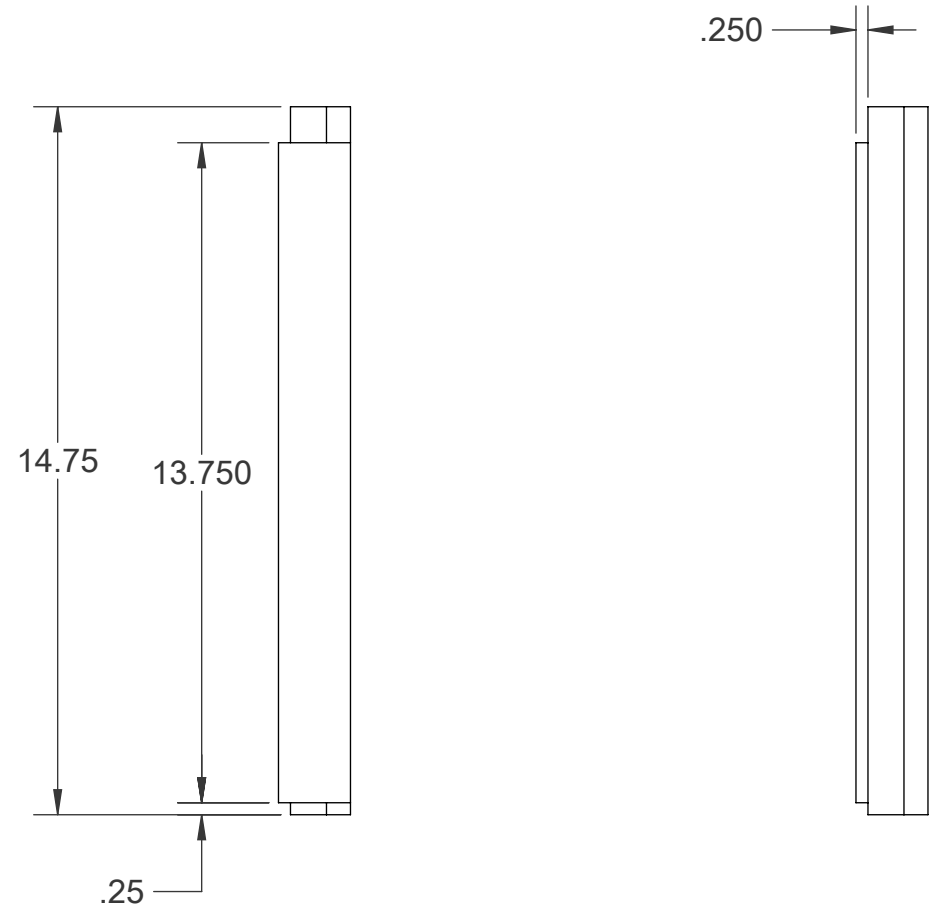
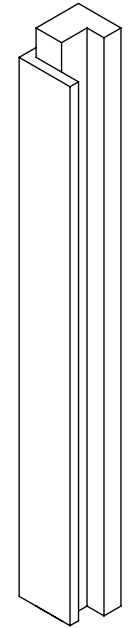
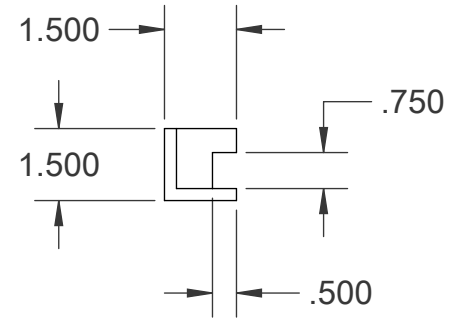


NOTE:
MAKE FROM HARDWOOD MATCHING CASE.


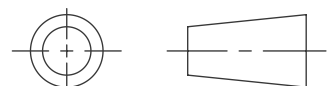
DO NOT SCALE FROM DRAWING IMPERIAL DRAWING ALL DIMENSIONS IN INCHES TOLERANCES UNLESS OTHERWISE SPECIFIED LINEAR X ± 1/4 X.X ± 1/8 X.XX ± 1/16 X.XXX ± 1/32 ANGULAR ± P	APPROVALS DRAWN M.POORMAN	DATE 5-27-2014	 WOOD SHOP MIKE Raleigh, North Carolina United States of America www.woodshopmike.com woodshopmikestudio.etsy.com
	DESIGN M.POORMAN	DATE 2-20-2014	
THIRD ANGLE PROJECTION 	NEXT ASSY www.woodshopmike.com	SYSTEM www.woodshopmike.com	SIZE B
DRAWING NO. TV-99-01		REV 00	SCALE 1:4 MATL HARDWOOD SHEET 1 OF 1

CONFIDENTIALITY

THE CONTENTS OF THIS DRAWING INCLUDE CONFIDENTIAL INFORMATION WHICH IS THE SOLE PROPERTY OF MP DESIGN, LLC (DBA WOOD SHOP MIKE) ANY USE, DISCLOSURE OR REPRODUCTION OF THIS DRAWING, IN WHOLE OR IN PART, WITHOUT THE PRIOR WRITTEN AUTHORIZATION OF MP DESIGN, LLC (DBA WOOD SHOP MIKE) IS STRICTLY PROHIBITED.

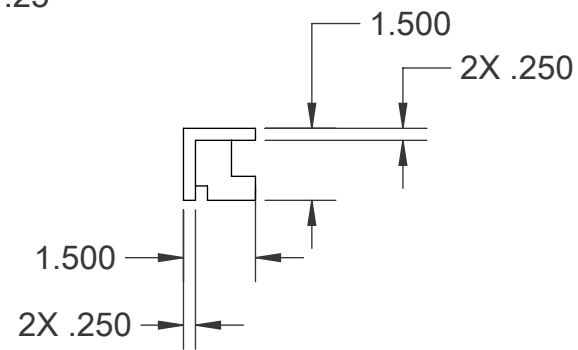
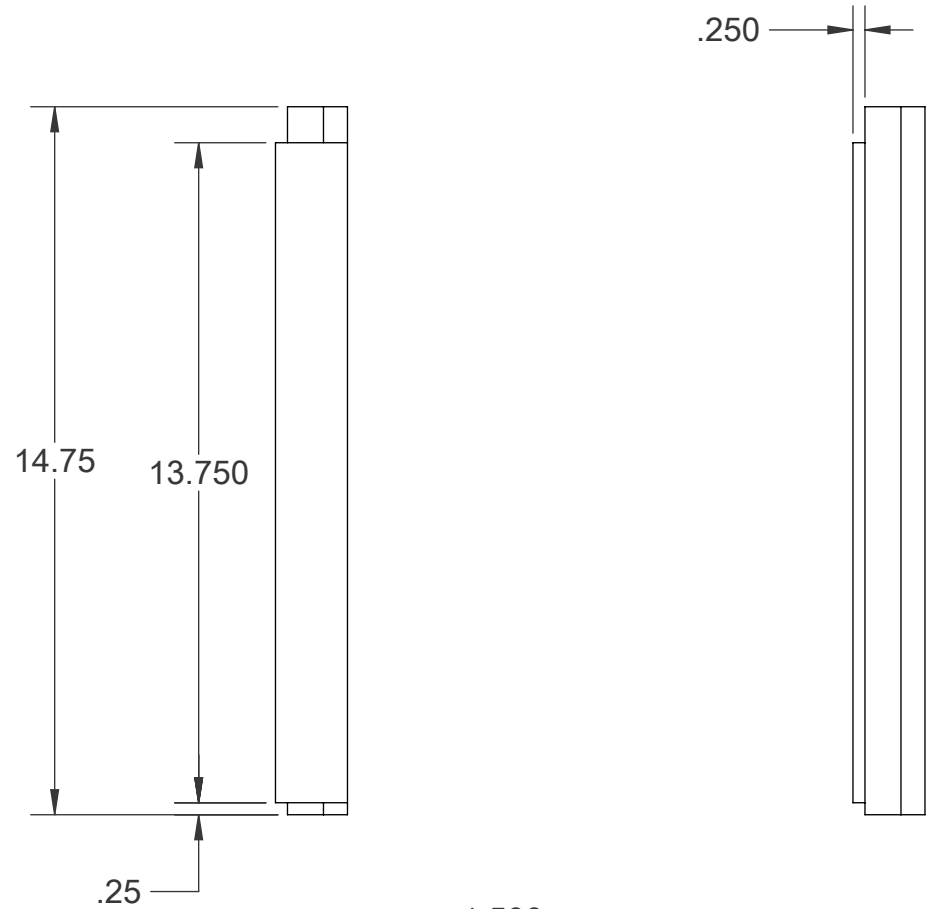
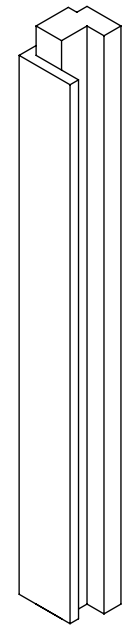
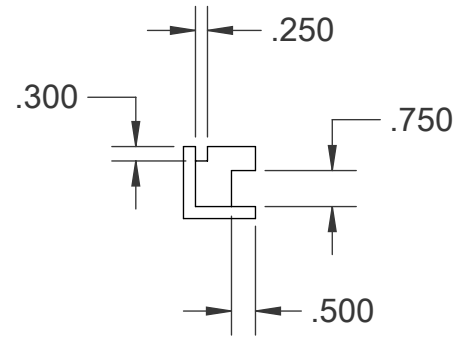


NOTE:
MAKE FROM HARDWOOD MATCHING CASE.


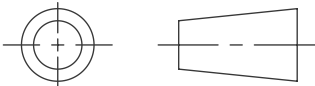
DO NOT SCALE FROM DRAWING IMPERIAL DRAWING ALL DIMENSIONS IN INCHES TOLERANCES UNLESS OTHERWISE SPECIFIED LINEAR X ± 1/4 X.X ± 1/8 X.XX ± 1/16 X.XXX ± 1/32 ANGULAR ±P	APPROVALS DRAWN M.POORMAN	DATE 5-27-2014	 WOOD SHOP MIKE Raleigh, North Carolina United States of America www.woodshopmike.com woodshopmikestudio.etsy.com		
	DESIGN M.POORMAN	DATE 2-20-2014		TITLE CORNER RAIL, FRONT RIGHT	
THIRD ANGLE PROJECTION 	NEXT ASSY www.woodshopmike.com	SYSTEM www.woodshopmike.com	SIZE B	DRAWING NO. TV-99-02	REV 00
SCALE 1:4		MATL HARDWOOD	SHEET 1 OF 1		

CONFIDENTIALITY

THE CONTENTS OF THIS DRAWING INCLUDE CONFIDENTIAL INFORMATION WHICH IS THE SOLE PROPERTY OF MP DESIGN, LLC (DBA WOOD SHOP MIKE) ANY USE, DISCLOSURE OR REPRODUCTION OF THIS DRAWING, IN WHOLE OR IN PART, WITHOUT THE PRIOR WRITTEN AUTHORIZATION OF MP DESIGN, LLC (DBA WOOD SHOP MIKE) IS STRICTLY PROHIBITED.

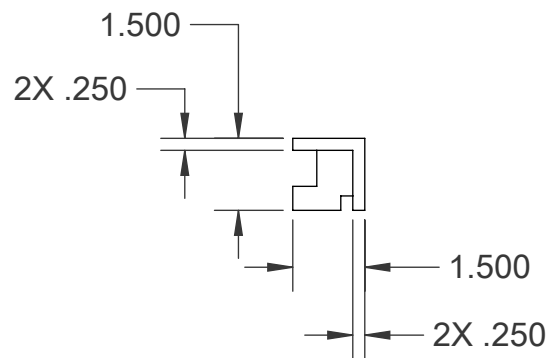
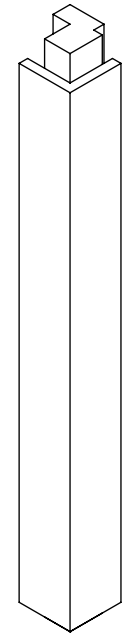
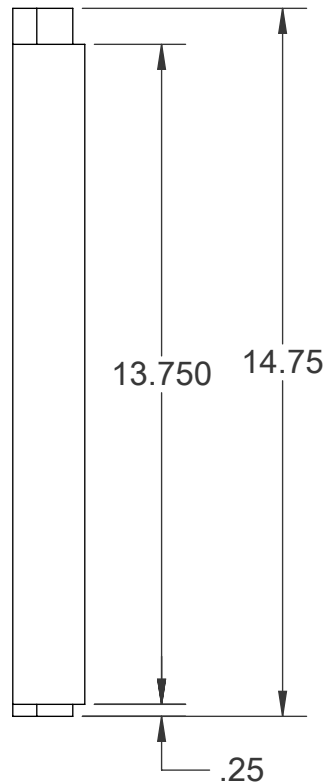
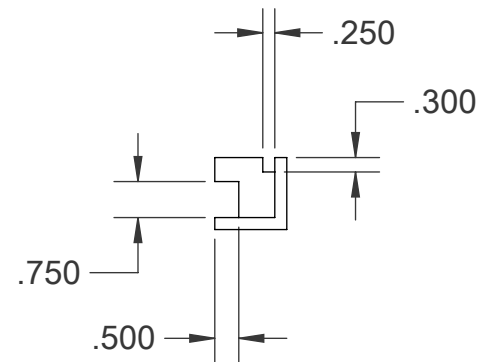
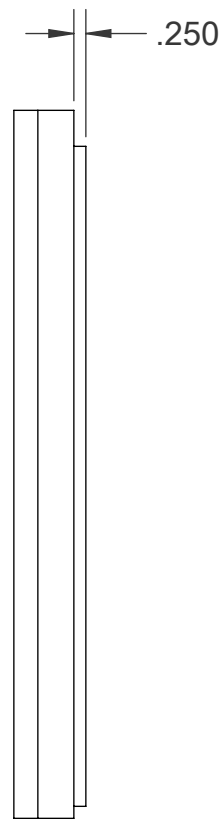


NOTE:
MAKE FROM HARDWOOD MATCHING CASE.


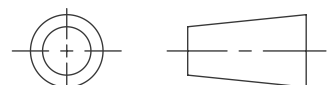
DO NOT SCALE FROM DRAWING IMPERIAL DRAWING ALL DIMENSIONS IN INCHES TOLERANCES UNLESS OTHERWISE SPECIFIED LINEAR X ± 1/4 X.X ± 1/8 X.XX ± 1/16 X.XXX ± 1/32 ANGULAR ± P	APPROVALS DRAWN M.POORMAN	DATE 5-27-2014	 WOOD SHOP MIKE Raleigh, North Carolina United States of America www.woodshopmike.com woodshopmikestudio.etsy.com
	DESIGN M.POORMAN	DATE 2-20-2014	
THIRD ANGLE PROJECTION 	NEXT ASSY www.woodshopmike.com	SYSTEM www.woodshopmike.com	SIZE B
		DRAWING NO. TV-99-03	REV 00
		SCALE 1:4	MATL HARDWOOD
		SHEET 1 OF 1	

CONFIDENTIALITY

THE CONTENTS OF THIS DRAWING INCLUDE CONFIDENTIAL INFORMATION WHICH IS THE SOLE PROPERTY OF MP DESIGN, LLC (DBA WOOD SHOP MIKE) ANY USE, DISCLOSURE OR REPRODUCTION OF THIS DRAWING, IN WHOLE OR IN PART, WITHOUT THE PRIOR WRITTEN AUTHORIZATION OF MP DESIGN, LLC (DBA WOOD SHOP MIKE) IS STRICTLY PROHIBITED.

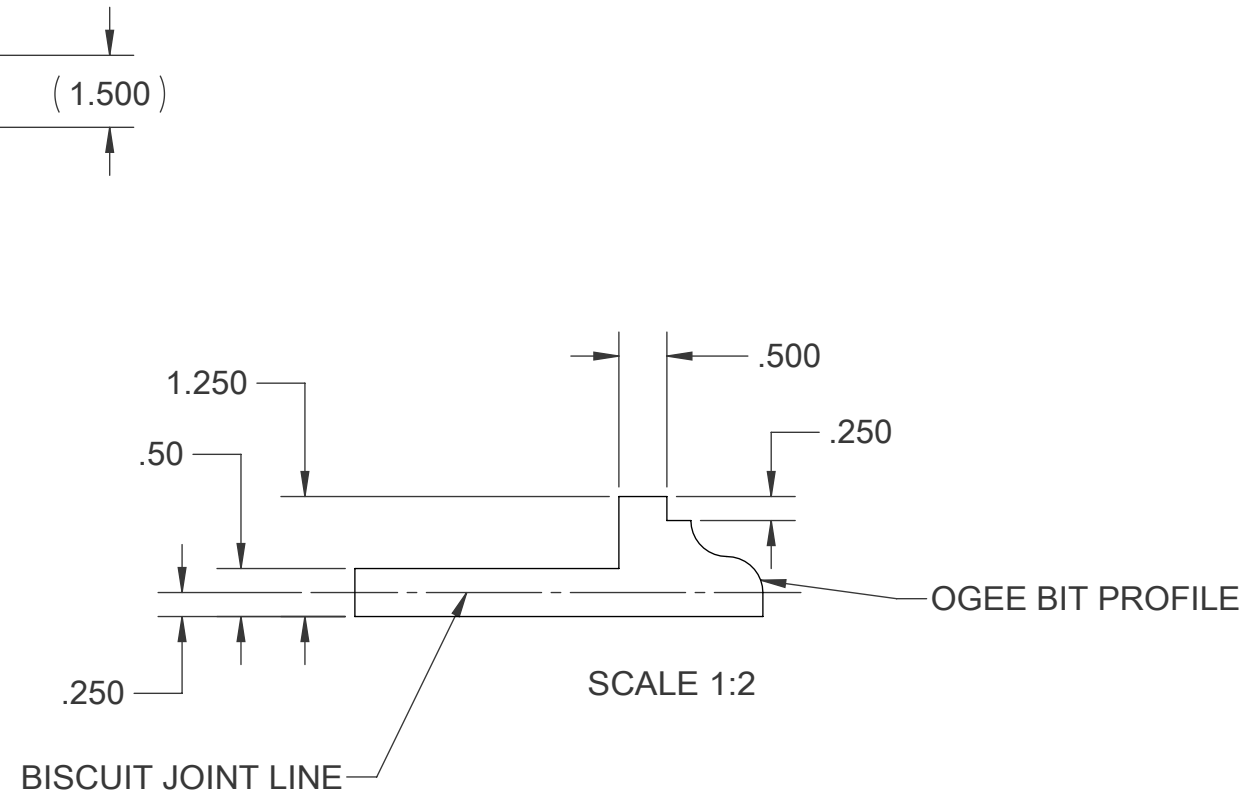
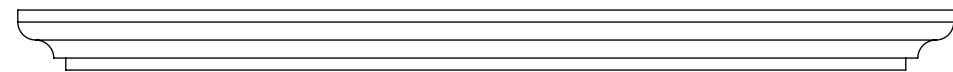
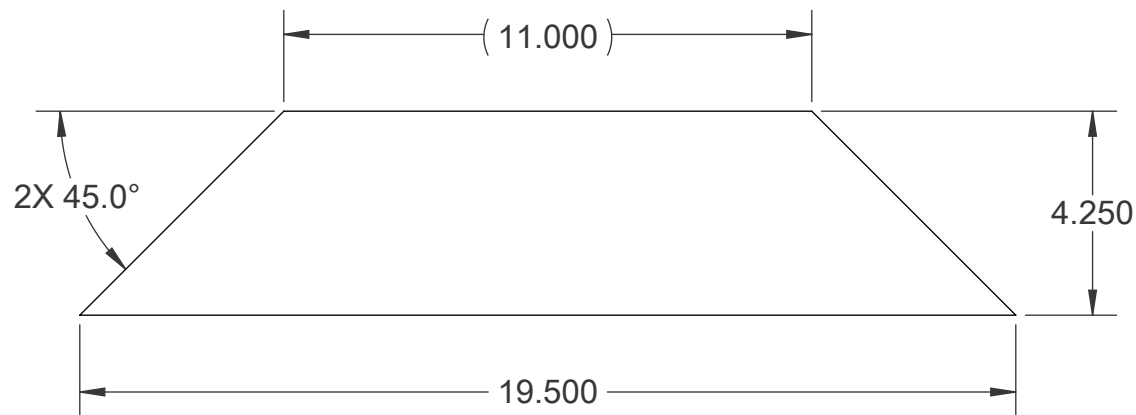
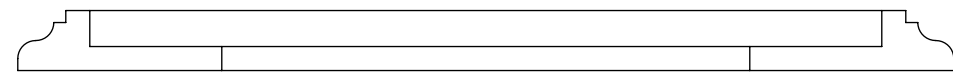
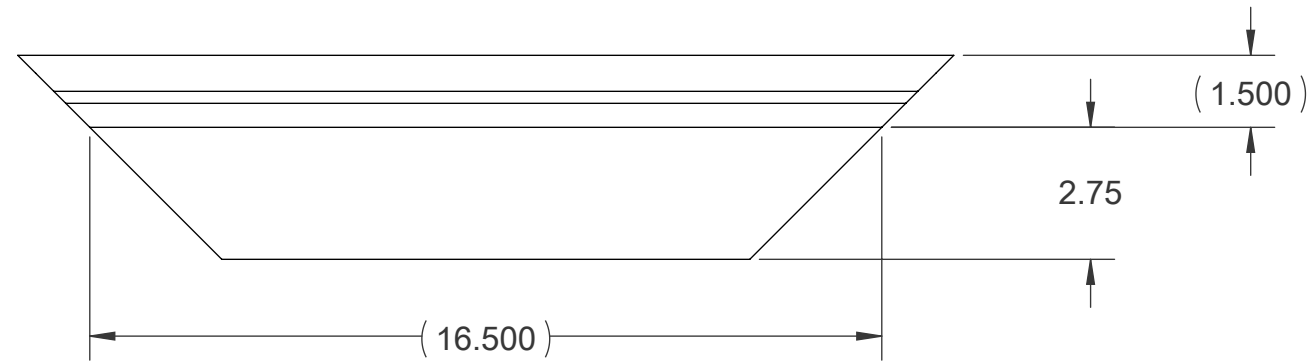


NOTE:
MAKE FROM HARDWOOD MATCHING CASE.


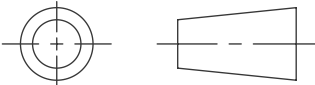
DO NOT SCALE FROM DRAWING IMPERIAL DRAWING ALL DIMENSIONS IN INCHES TOLERANCES UNLESS OTHERWISE SPECIFIED LINEAR X ± 1/4 X.X ± 1/8 X.XX ± 1/16 X.XXX ± 1/32 ANGULAR ± P°	APPROVALS DRAWN M.POORMAN	DATE 5-27-2014	 WOOD SHOP MIKE Raleigh, North Carolina United States of America www.woodshopmike.com woodshopmikestudio.etsy.com
	DESIGN M.POORMAN	DATE 2-20-2014	
THIRD ANGLE PROJECTION 	NEXT ASSY www.woodshopmike.com	SYSTEM www.woodshopmike.com	SIZE B
		DRAWING NO. TV-99-04	REV 00
		SCALE 1:4	MATL HARDWOOD
		SHEET 1	OF 1

CONFIDENTIALITY

THE CONTENTS OF THIS DRAWING INCLUDE CONFIDENTIAL INFORMATION WHICH IS THE SOLE PROPERTY OF MP DESIGN, LLC (DBA WOOD SHOP MIKE) ANY USE, DISCLOSURE OR REPRODUCTION OF THIS DRAWING, IN WHOLE OR IN PART, WITHOUT THE PRIOR WRITTEN AUTHORIZATION OF MP DESIGN, LLC (DBA WOOD SHOP MIKE) IS STRICTLY PROHIBITED.

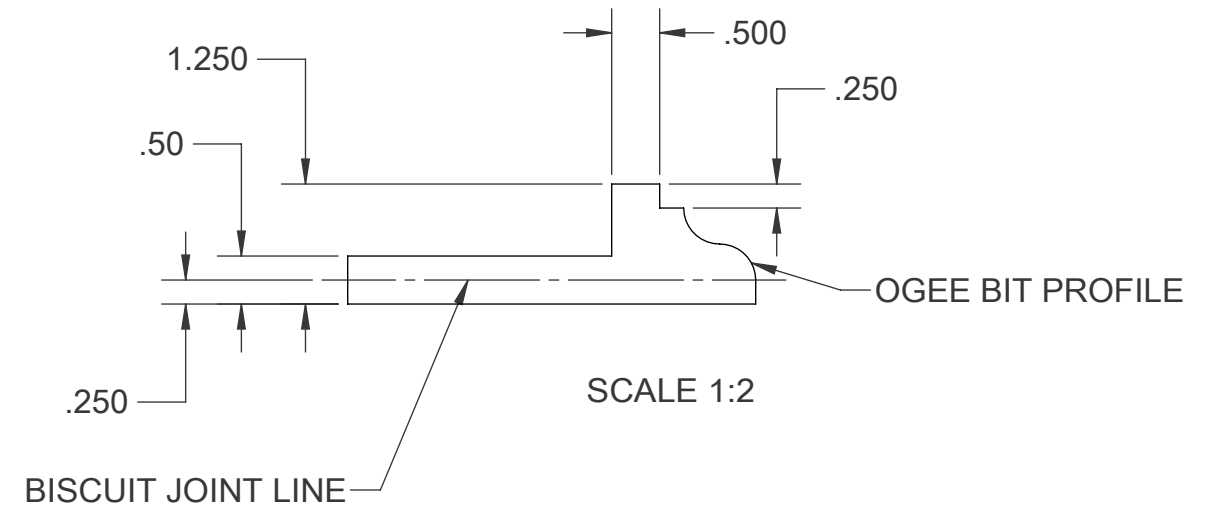
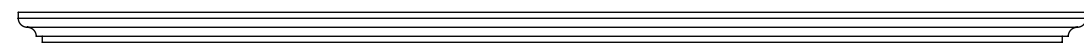
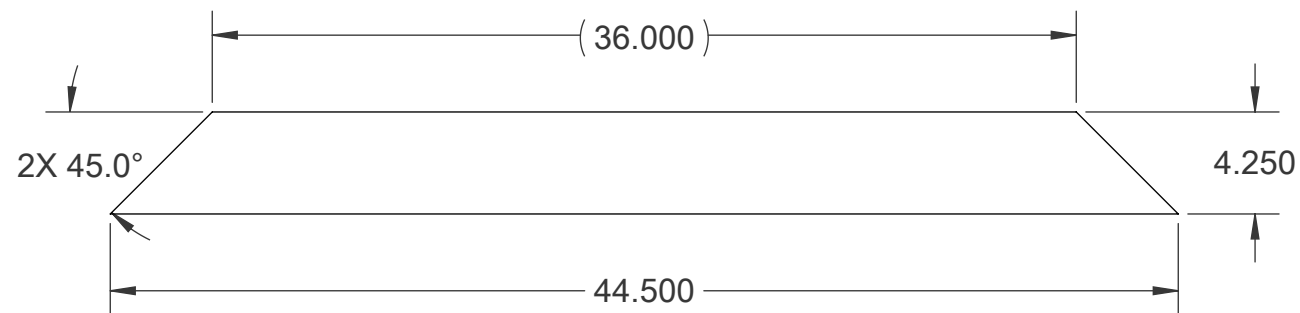
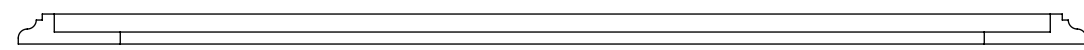
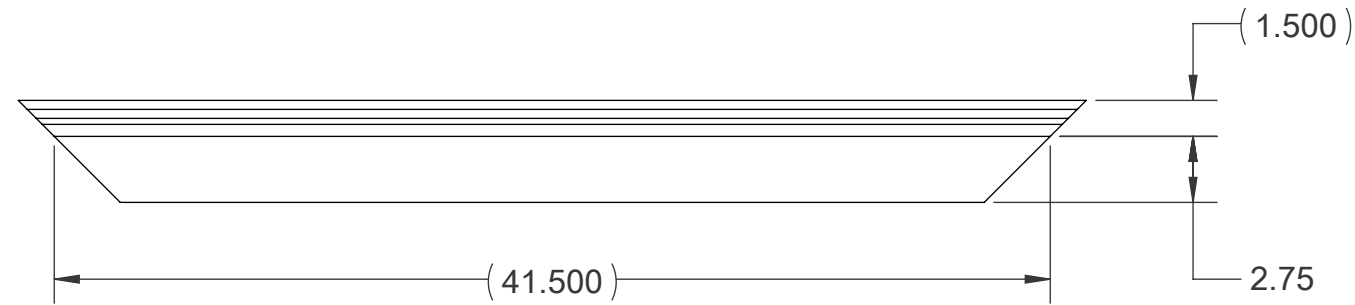


NOTE:
 MAKE FROM HARDWOOD MATCHING CASE.
 FRAME IS ASSEMBLED WITH BISCUIT JOINERY.


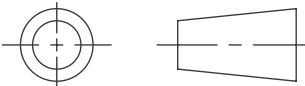
DO NOT SCALE FROM DRAWING IMPERIAL DRAWING ALL DIMENSIONS IN INCHES TOLERANCES UNLESS OTHERWISE SPECIFIED LINEAR X ± 1/4 X.X ± 1/8 X.XX ± 1/16 X.XXX ± 1/32 ANGULAR ±P	APPROVALS DRAWN M.POORMAN	DATE 5-27-2014	 WOOD SHOP MIKE Raleigh, North Carolina United States of America www.woodshopmike.com woodshopmikestudio.etsy.com		
	DESIGN M.POORMAN	2-20-2014		TITLE <h1>TOP RAIL, SIDES</h1>	
THIRD ANGLE PROJECTION 	NEXT ASSY www.woodshopmike.com	SYSTEM	SIZE B	DRAWING NO. TV-99-05	REV 00
SCALE 1:4		MATL HARDWOOD	SHEET 1 OF 1		

CONFIDENTIALITY

THE CONTENTS OF THIS DRAWING INCLUDE CONFIDENTIAL INFORMATION WHICH IS THE SOLE PROPERTY OF MP DESIGN, LLC (DBA WOOD SHOP MIKE) ANY USE, DISCLOSURE OR REPRODUCTION OF THIS DRAWING, IN WHOLE OR IN PART, WITHOUT THE PRIOR WRITTEN AUTHORIZATION OF MP DESIGN, LLC (DBA WOOD SHOP MIKE) IS STRICTLY PROHIBITED.

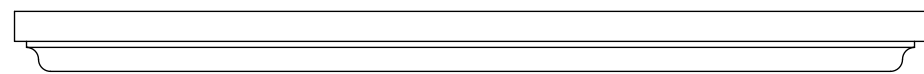
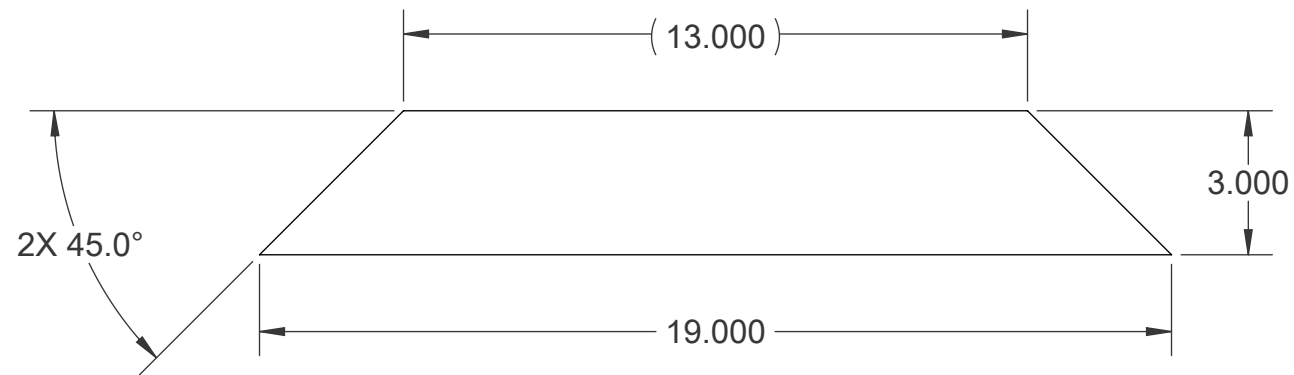
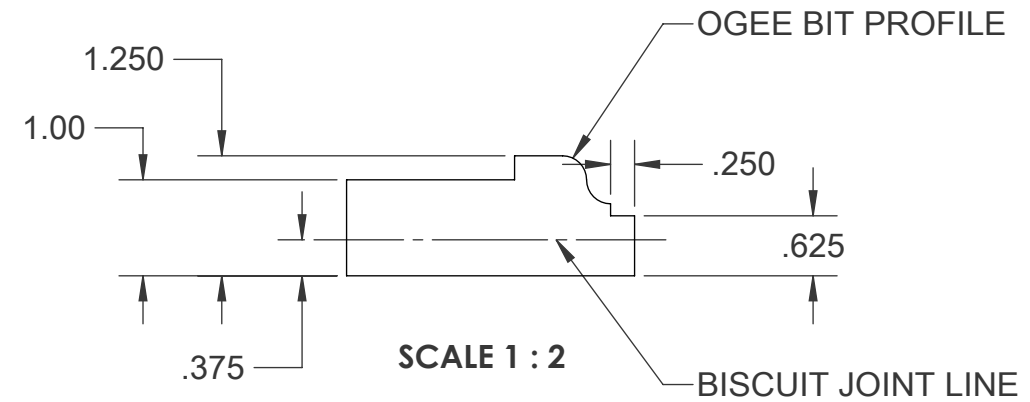
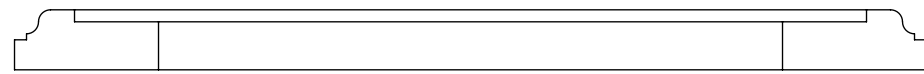
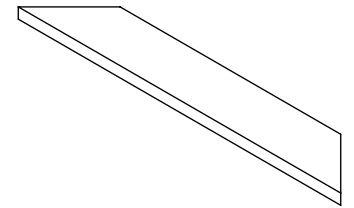
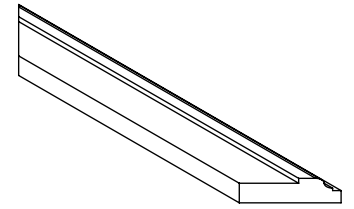


NOTE:
 MAKE FROM HARDWOOD MATCHING CASE.
 FRAME IS ASSEMBLED WITH BISCUIT JOINERY.


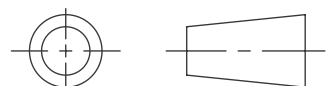
DO NOT SCALE FROM DRAWING IMPERIAL DRAWING ALL DIMENSIONS IN INCHES TOLERANCES UNLESS OTHERWISE SPECIFIED LINEAR X ± 1/4 X.X ± 1/8 X.XX ± 1/16 X.XXX ± 1/32 ANGULAR ± P°	APPROVALS DRAWN M.POORMAN	DATE 5-27-2014	 WOOD SHOP MIKE Raleigh, North Carolina United States of America www.woodshopmike.com woodshopmikestudio.etsy.com		
	DESIGN M.POORMAN	DATE 2-20-2014		TITLE <h1>TOP RAIL, FRONT & BACK</h1>	
	NEXT ASSY www.woodshopmike.com	SYSTEM www.woodshopmike.com	SIZE B	DRAWING NO. TV-99-06	REV 00
SCALE 1:8		MATL HARD WOOD	SHEET 1 OF 1		

CONFIDENTIALITY

THE CONTENTS OF THIS DRAWING INCLUDE CONFIDENTIAL INFORMATION WHICH IS THE SOLE PROPERTY OF MP DESIGN, LLC (DBA WOOD SHOP MIKE) ANY USE, DISCLOSURE OR REPRODUCTION OF THIS DRAWING, IN WHOLE OR IN PART, WITHOUT THE PRIOR WRITTEN AUTHORIZATION OF MP DESIGN, LLC (DBA WOOD SHOP MIKE) IS STRICTLY PROHIBITED.

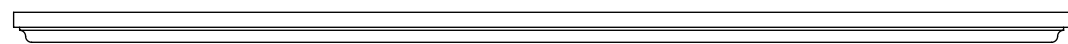
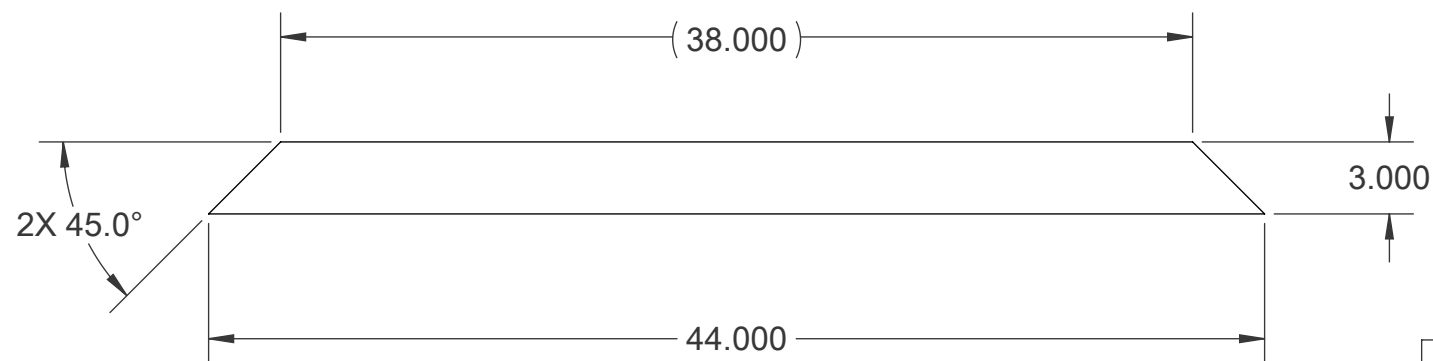
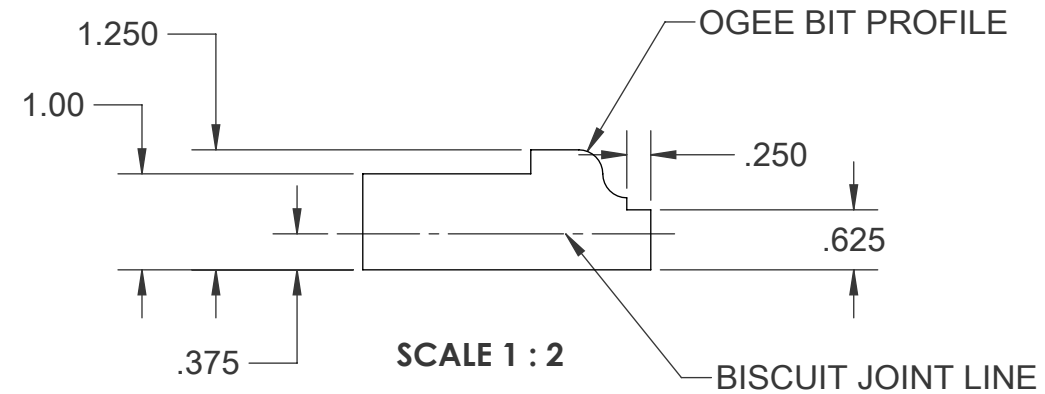
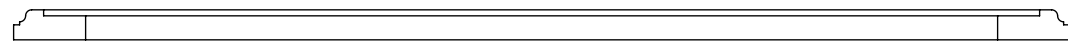
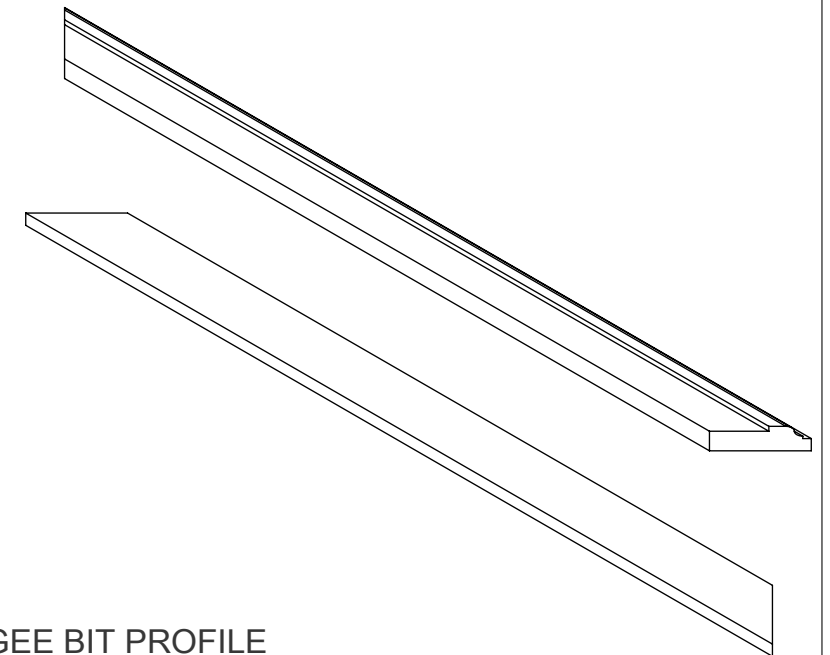
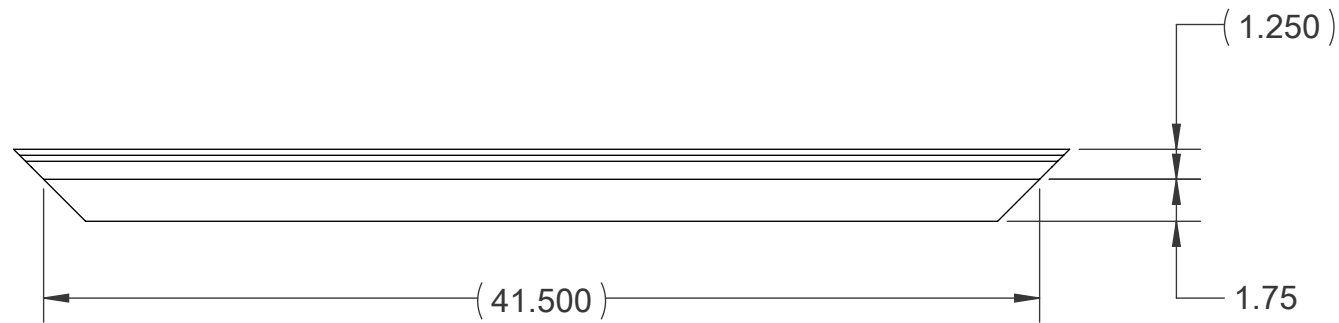


NOTE:
MAKE FROM HARDWOOD MATCHING CASE.
FRAME IS ASSEMBLED WITH BISCUIT JOINERY.


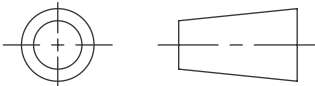
DO NOT SCALE FROM DRAWING IMPERIAL DRAWING ALL DIMENSIONS IN INCHES TOLERANCES UNLESS OTHERWISE SPECIFIED LINEAR X ± 1/4 X.X ± 1/8 X.XX ± 1/16 X.XXX ± 1/32 ANGULAR ± P	APPROVALS DRAWN M.POORMAN	DATE 5-27-2014	 WOOD SHOP MIKE Raleigh, North Carolina United States of America www.woodshopmike.com woodshopmikestudio.etsy.com
	DESIGN M.POORMAN	DATE 2-20-2014	
THIRD ANGLE PROJECTION 	NEXT ASSY www.woodshopmike.com	SYSTEM www.woodshopmike.com	SIZE B
		DRAWING NO. TV-99-07	REV 00
		SCALE 1:4	MATL HARD WOOD
		SHEET 1 OF 1	

CONFIDENTIALITY

THE CONTENTS OF THIS DRAWING INCLUDE CONFIDENTIAL INFORMATION WHICH IS THE SOLE PROPERTY OF MP DESIGN, LLC (DBA WOOD SHOP MIKE) ANY USE, DISCLOSURE OR REPRODUCTION OF THIS DRAWING, IN WHOLE OR IN PART, WITHOUT THE PRIOR WRITTEN AUTHORIZATION OF MP DESIGN, LLC (DBA WOOD SHOP MIKE) IS STRICTLY PROHIBITED.

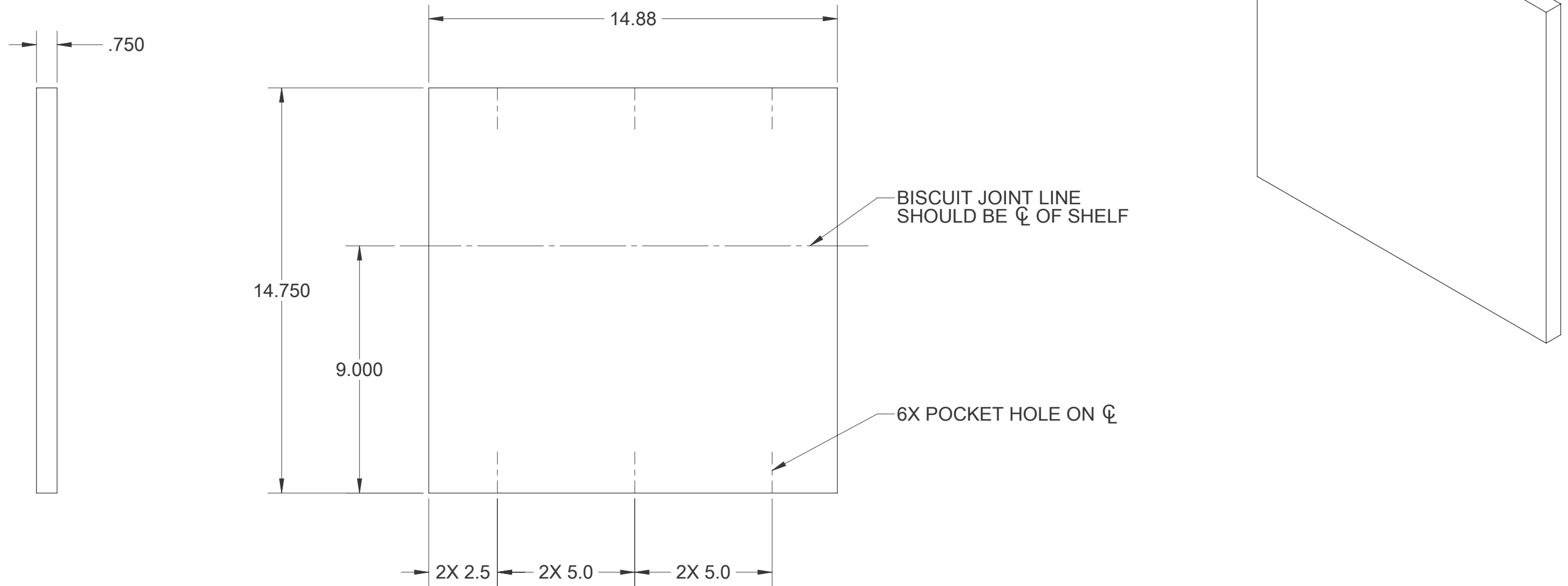


NOTE:
MAKE FROM HARDWOOD MATCHING CASE.
FRAME IS ASSEMBLED WITH BISCUIT JOINERY.


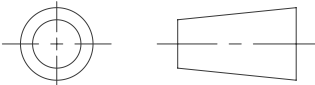
DO NOT SCALE FROM DRAWING IMPERIAL DRAWING ALL DIMENSIONS IN INCHES TOLERANCES UNLESS OTHERWISE SPECIFIED LINEAR X ± 1/4 X.X ± 1/8 X.XX ± 1/16 X.XXX ± 1/32 ANGULAR ± P	APPROVALS DRAWN M.POORMAN	DATE 5-27-2014	 WOOD SHOP MIKE Raleigh, North Carolina United States of America woodshopmikestudio.etsy.com www.woodshopmike.com
	DESIGN M.POORMAN	DATE 2-20-2014	
THIRD ANGLE PROJECTION 	NEXT ASSY www.woodshopmike.com	SYSTEM www.woodshopmike.com	SIZE B
	DRAWING NO. TV-99-08	REV 00	SCALE 1:8
MATL HARD WOOD		SHEET 1 OF 1	REV 00

CONFIDENTIALITY

THE CONTENTS OF THIS DRAWING INCLUDE CONFIDENTIAL INFORMATION WHICH IS THE SOLE PROPERTY OF MP DESIGN, LLC (DBA WOOD SHOP MIKE) ANY USE, DISCLOSURE OR REPRODUCTION OF THIS DRAWING, IN WHOLE OR IN PART, WITHOUT THE PRIOR WRITTEN AUTHORIZATION OF MP DESIGN, LLC (DBA WOOD SHOP MIKE) IS STRICTLY PROHIBITED.

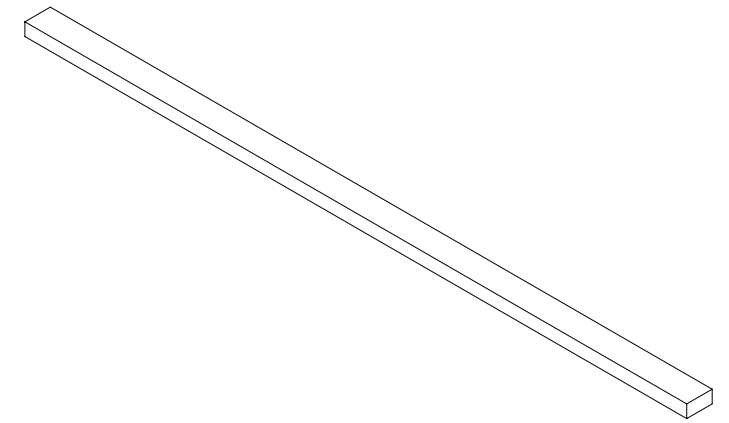
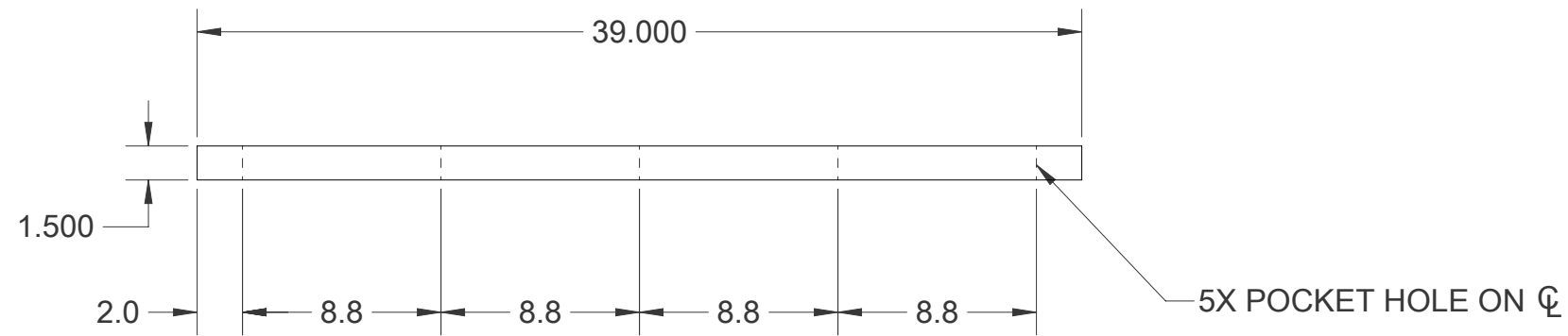


NOTE:
MAKE FROM HARDWOOD

DO NOT SCALE FROM DRAWING IMPERIAL DRAWING ALL DIMENSIONS IN INCHES TOLERANCES UNLESS OTHERWISE SPECIFIED LINEAR X ± 1/4 X.X ± 1/8 X.XX ± 1/16 X.XXX ± 1/32 ANGULAR ±P	APPROVALS DRAWN M.POORMAN	DATE 5-27-2014	 WOOD SHOP MIKE Raleigh, North Carolina United States of America www.woodshopmike.com woodshopmikestudio.etsy.com		
	DESIGN M.POORMAN	DATE 2-20-2014		TITLE <h1>SIDES</h1>	
THIRD ANGLE PROJECTION 	NEXT ASSY www.woodshopmike.com	SYSTEM www.woodshopmike.com	SIZE B	DRAWING NO. TV-99-09	REV 00
SCALE 1:4		MATL HARDWOOD	SHEET 1 OF 1		

CONFIDENTIALITY


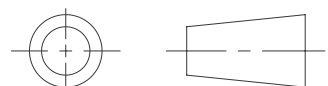
THE CONTENTS OF THIS DRAWING INCLUDE CONFIDENTIAL INFORMATION WHICH IS THE SOLE PROPERTY OF MP DESIGN, LLC (DBA WOOD SHOP MIKE) ANY USE, DISCLOSURE OR REPRODUCTION OF THIS DRAWING, IN WHOLE OR IN PART, WITHOUT THE PRIOR WRITTEN AUTHORIZATION OF MP DESIGN, LLC (DBA WOOD SHOP MIKE) IS STRICTLY PROHIBITED.



NOTE:

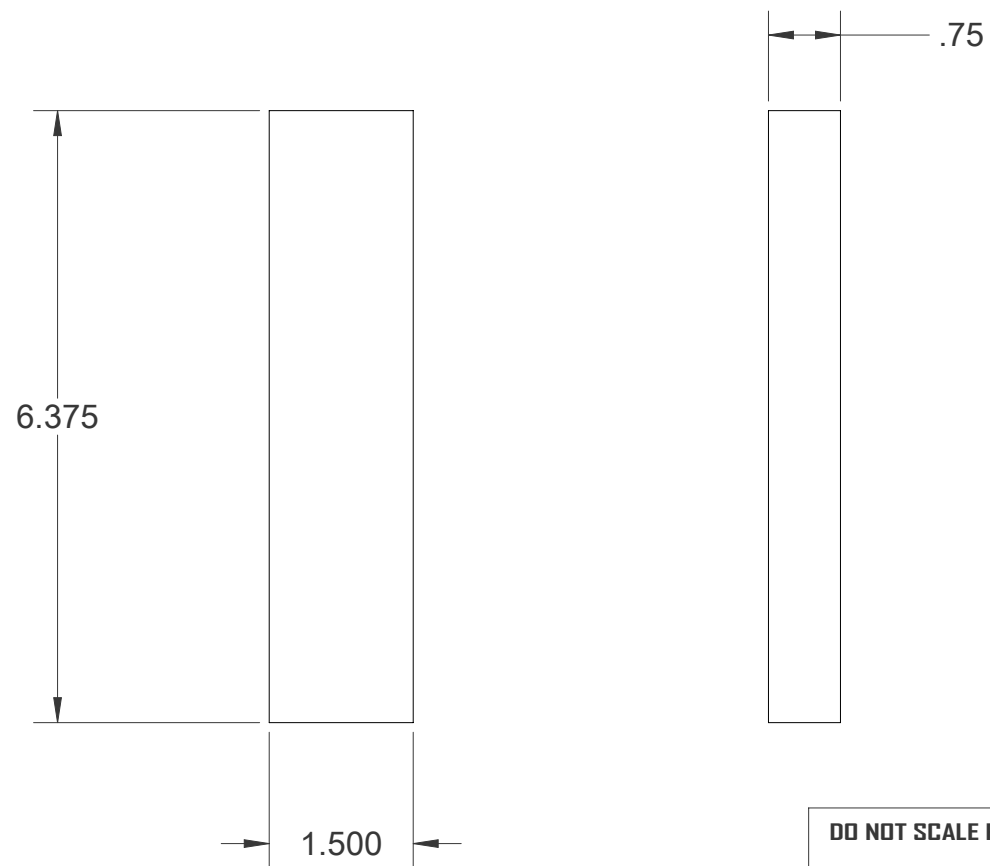
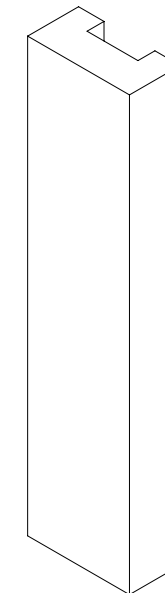
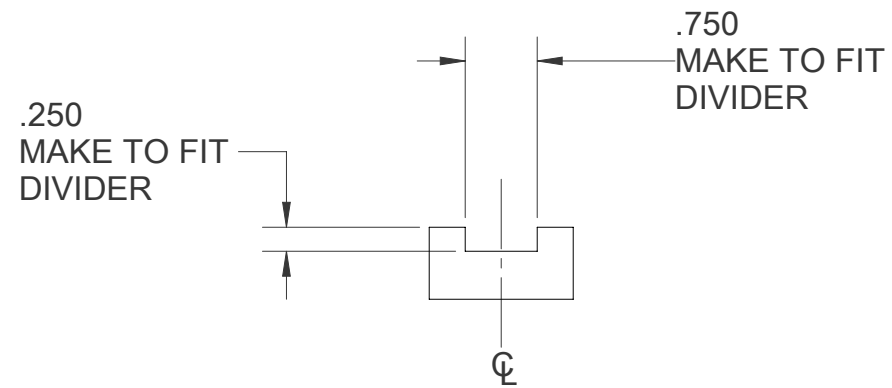
MAKE FROM HARDWOOD MATCHING CASE

POCKET HOLE FEATURE WILL BE SEEN FROM TOP OF FACE FRAME BUT WILL BE HIDDEN BY DRAWER FRONT. USE ALTERNATE ATTACHMENT IF THIS IS PROBLEMATIC.


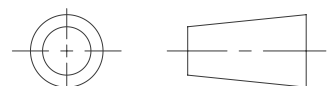
DO NOT SCALE FROM DRAWING IMPERIAL DRAWING ALL DIMENSIONS IN INCHES TOLERANCES UNLESS OTHERWISE SPECIFIED LINEAR X ± 1/4 X.X ± 1/8 X.XX ± 1/16 X.XXX ± 1/32 ANGULAR ±P	APPROVALS DRAWN M.POORMAN	DATE 5-27-2014	 WOOD SHOP MIKE Raleigh, North Carolina United States of America www.woodshopmike.com woodshopmikestudio.etsy.com
	DESIGN M.POORMAN	DATE 2-20-2014	
	NEXT ASSY www.woodshopmike.com	SYSTEM www.woodshopmike.com	SIZE B
		DRAWING NO. TV-99-10	REV 00
		SCALE 1:8	MATL HARDWOOD
		SHEET 1	OF 1

CONFIDENTIALITY

THE CONTENTS OF THIS DRAWING INCLUDE CONFIDENTIAL INFORMATION WHICH IS THE SOLE PROPERTY OF MP DESIGN, LLC (DBA WOOD SHOP MIKE) ANY USE, DISCLOSURE OR REPRODUCTION OF THIS DRAWING, IN WHOLE OR IN PART, WITHOUT THE PRIOR WRITTEN AUTHORIZATION OF MP DESIGN, LLC (DBA WOOD SHOP MIKE) IS STRICTLY PROHIBITED.



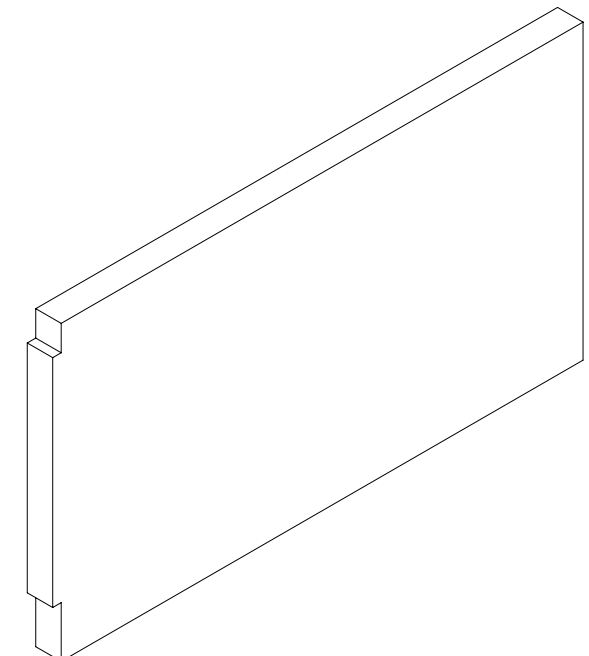
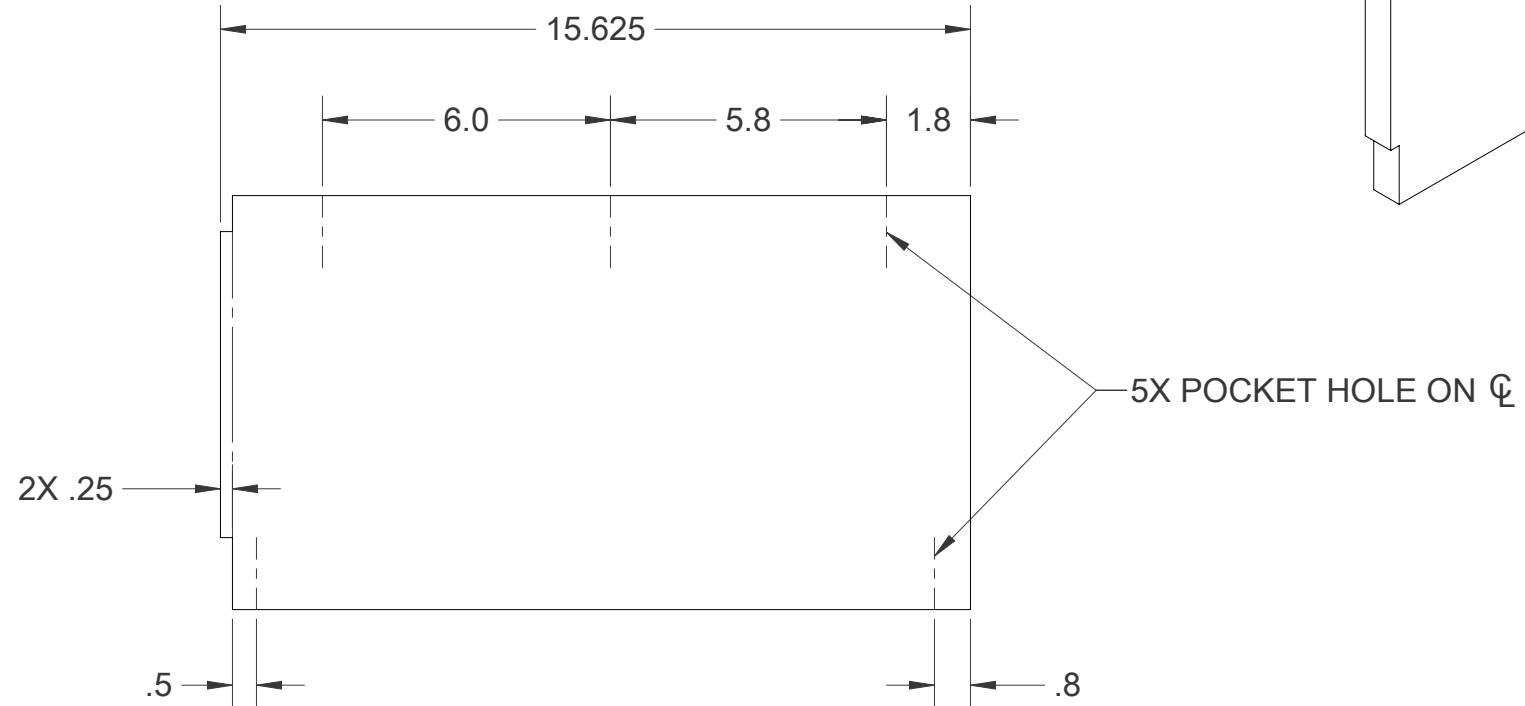
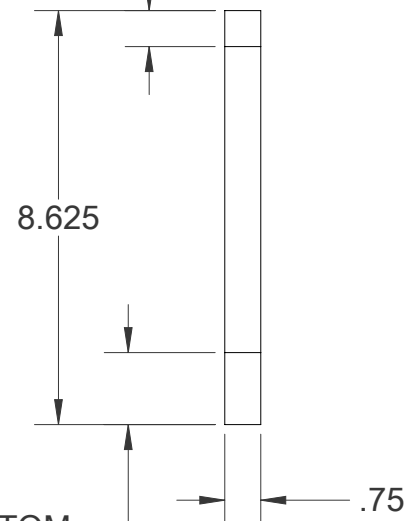
NOTE:
MAKE FROM HARDWOOD

DO NOT SCALE FROM DRAWING IMPERIAL DRAWING ALL DIMENSIONS IN INCHES TOLERANCES UNLESS OTHERWISE SPECIFIED LINEAR X ± 1/4 X.X ± 1/8 X.XX ± 1/16 X.XXX ± 1/32 ANGULAR ±P	APPROVALS DRAWN M.POORMAN	DATE 5-27-2014	 WOOD SHOP MIKE Raleigh, North Carolina United States of America www.woodshopmike.com woodshopmikestudio.etsy.com		
	DESIGN M.POORMAN	DATE 2-20-2014		TITLE CENTER FACE FRAME	
THIRD ANGLE PROJECTION 	NEXT ASSY www.woodshopmike.com	SYSTEM www.woodshopmike.com	SIZE B	DRAWING NO. TV-99-11	REV 00
SCALE 1:2		MATL HARDWOOD	SHEET 1 OF 1		


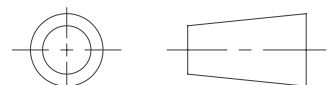
CONFIDENTIALITY

THE CONTENTS OF THIS DRAWING INCLUDE CONFIDENTIAL INFORMATION WHICH IS THE SOLE PROPERTY OF MP DESIGN, LLC (DBA WOOD SHOP MIKE) ANY USE, DISCLOSURE OR REPRODUCTION OF THIS DRAWING, IN WHOLE OR IN PART, WITHOUT THE PRIOR WRITTEN AUTHORIZATION OF MP DESIGN, LLC (DBA WOOD SHOP MIKE) IS STRICTLY PROHIBITED.

.750
FIT TO FACE FRAME
ON SHELF

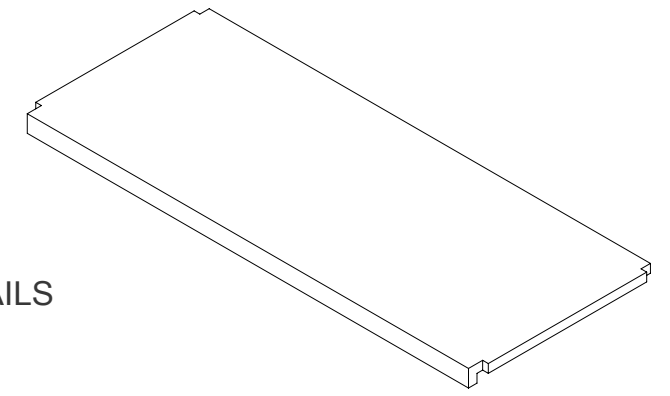


NOTE:
MAKE FROM HARDWOOD (PLYWOOD IS ACCEPTABLE)

DO NOT SCALE FROM DRAWING IMPERIAL DRAWING ALL DIMENSIONS IN INCHES TOLERANCES UNLESS OTHERWISE SPECIFIED LINEAR X ± 1/4 X.X ± 1/8 X.XX ± 1/16 X.XXX ± 1/32 ANGULAR ±P	APPROVALS DRAWN M.POORMAN	DATE 5-27-2014	 WOOD SHOP MIKE Raleigh, North Carolina United States of America woodshopmikestudio.etsy.com www.woodshopmike.com		
	DESIGN M.POORMAN	2-20-2014		TITLE <h1>DIVIDER</h1>	
THIRD ANGLE PROJECTION 	NEXT ASSY www.woodshopmike.com	SYSTEM www.woodshopmike.com	SIZE B	DRAWING NO. <h1>TV-99-12</h1>	REV 00
SCALE 1:4		MATL HARDWOOD	SHEET 1 OF 1		

CONFIDENTIALITY

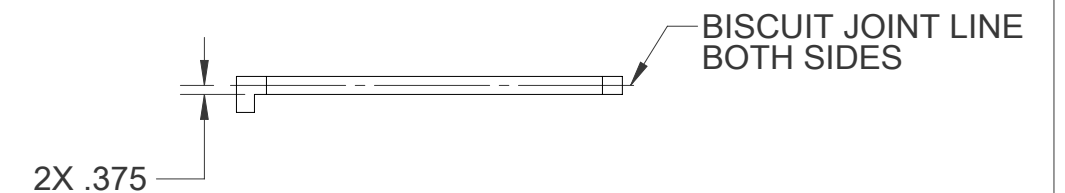
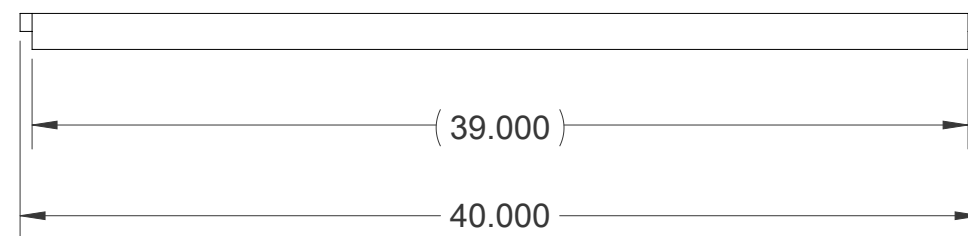
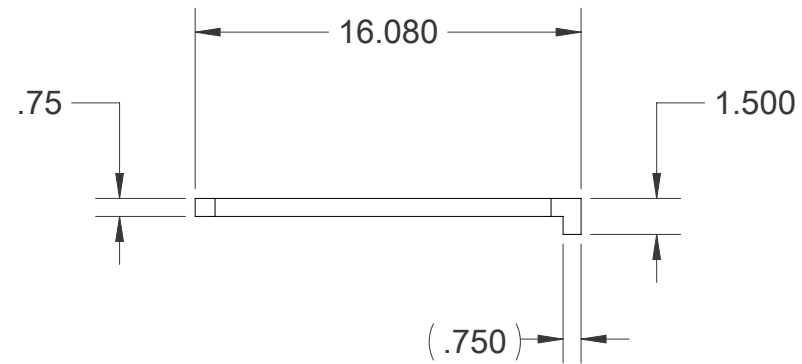
THE CONTENTS OF THIS DRAWING INCLUDE CONFIDENTIAL INFORMATION WHICH IS THE SOLE PROPERTY OF MP DESIGN, LLC (DBA WOOD SHOP MIKE) ANY USE, DISCLOSURE OR REPRODUCTION OF THIS DRAWING, IN WHOLE OR IN PART, WITHOUT THE PRIOR WRITTEN AUTHORIZATION OF MP DESIGN, LLC (DBA WOOD SHOP MIKE) IS STRICTLY PROHIBITED.




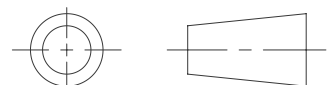
2X .500
TO FIT CORNER RAILS

2X .830
TO FIT CORNER RAILS

2X 1.250
TO FIT CORNER RAILS

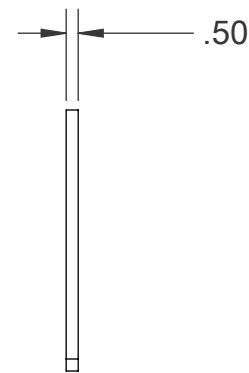
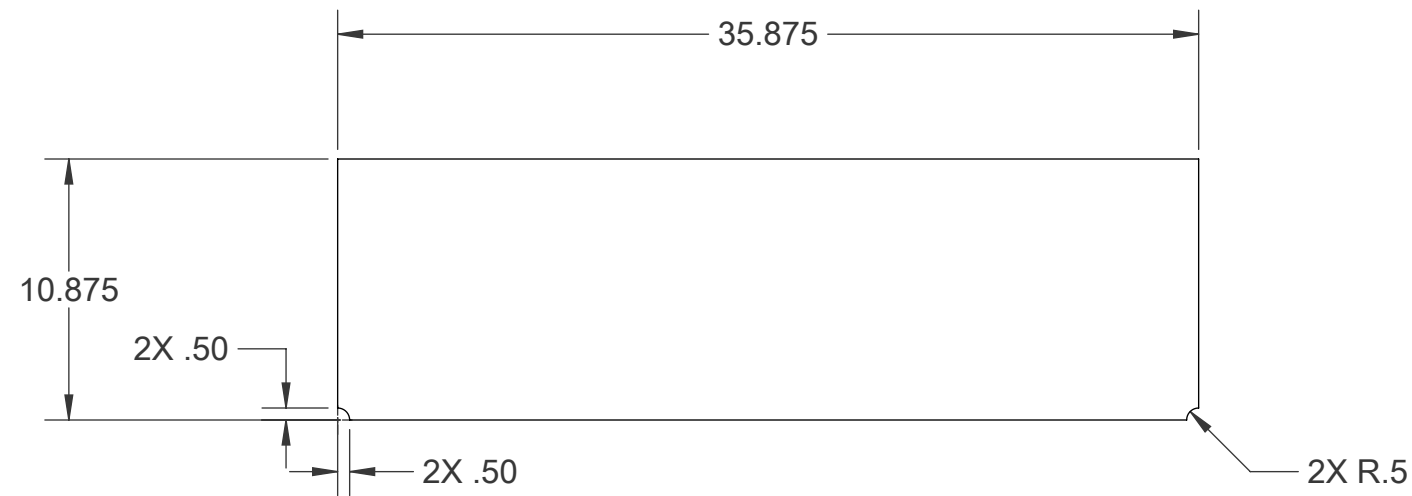
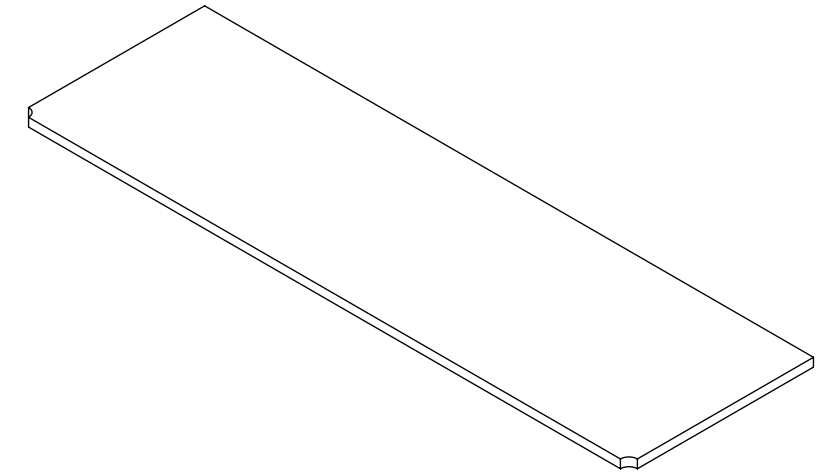


NOTE:
MAKE FROM HARDWOOD (AREA TOWARD BACK OF SHELF CAN BE PLYWOOD)
FRONT (LIP) OF SHELF IS 3/4" THICK AND IS GLUED ON AFTER SHELF IS PLANED.


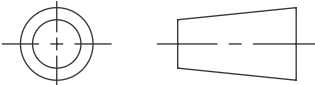
DO NOT SCALE FROM DRAWING IMPERIAL DRAWING ALL DIMENSIONS IN INCHES TOLERANCES UNLESS OTHERWISE SPECIFIED LINEAR X ± 1/4 X.X ± 1/8 X.XX ± 1/16 X.XXX ± 1/32 ANGULAR ± P	APPROVALS DRAWN M.POORMAN	DATE 5-27-2014	 WOOD SHOP MIKE Raleigh, North Carolina United States of America www.woodshopmike.com woodshopmikestudio.etsy.com
	DESIGN M.POORMAN	DATE 2-20-2014	
THIRD ANGLE PROJECTION 	NEXT ASSY www.woodshopmike.com	SYSTEM www.woodshopmike.com	SIZE B
DRAWING NO. <h1>TV-99-13</h1>		REV <h1>00</h1>	SCALE 1:8 MATL HARDWOOD SHEET 1 OF 1

CONFIDENTIALITY

THE CONTENTS OF THIS DRAWING INCLUDE CONFIDENTIAL INFORMATION WHICH IS THE SOLE PROPERTY OF MP DESIGN, LLC (DBA WOOD SHOP MIKE) ANY USE, DISCLOSURE OR REPRODUCTION OF THIS DRAWING, IN WHOLE OR IN PART, WITHOUT THE PRIOR WRITTEN AUTHORIZATION OF MP DESIGN, LLC (DBA WOOD SHOP MIKE) IS STRICTLY PROHIBITED.

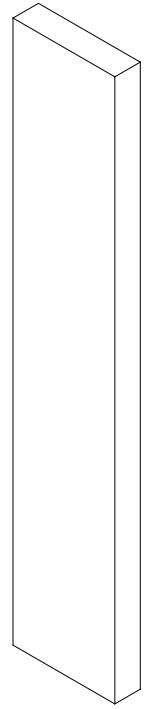
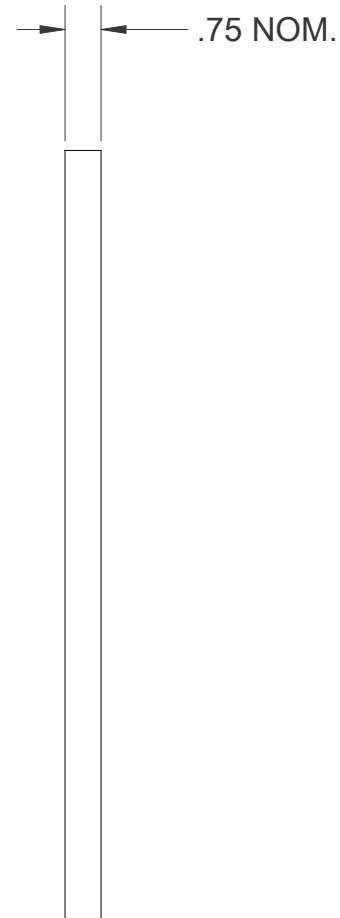
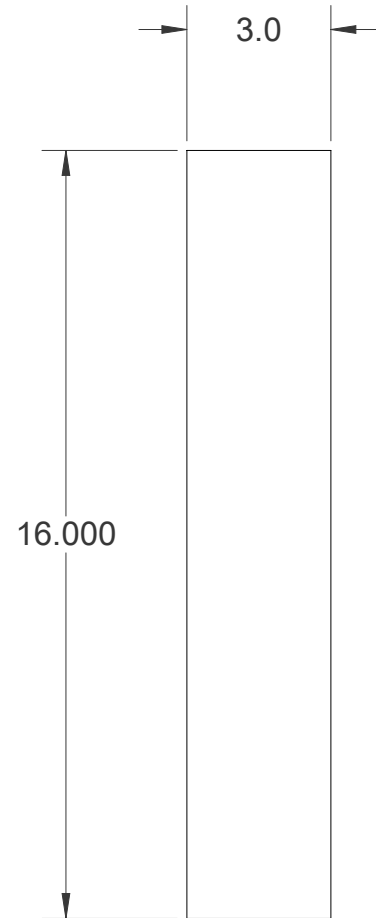



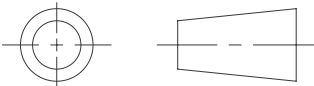
NOTE:
MAKE FROM HARDWOOD MATCHING CASE.

DO NOT SCALE FROM DRAWING IMPERIAL DRAWING ALL DIMENSIONS IN INCHES TOLERANCES UNLESS OTHERWISE SPECIFIED LINEAR X ± 1/4 X.X ± 1/8 X.XX ± 1/16 X.XXX ± 1/32 ANGULAR ±P	APPROVALS DRAWN M.POORMAN	DATE 5-27-2014	 WOOD SHOP MIKE Raleigh, North Carolina United States of America www.woodshopmike.com woodshopmikestudio.etsy.com
	DESIGN M.POORMAN	DATE 2-20-2014	
	NEXT ASSY www.woodshopmike.com	SYSTEM www.woodshopmike.com	SIZE B
		DRAWING NO. <h1>TV-99-14</h1>	REV 00
		SCALE 1:8	MATL HARDWOOD
		SHEET 1	OF 1

CONFIDENTIALITY

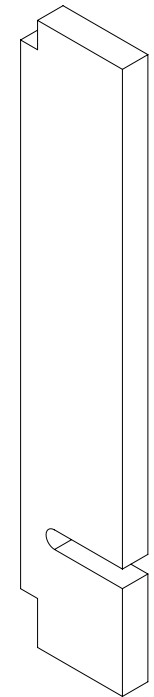
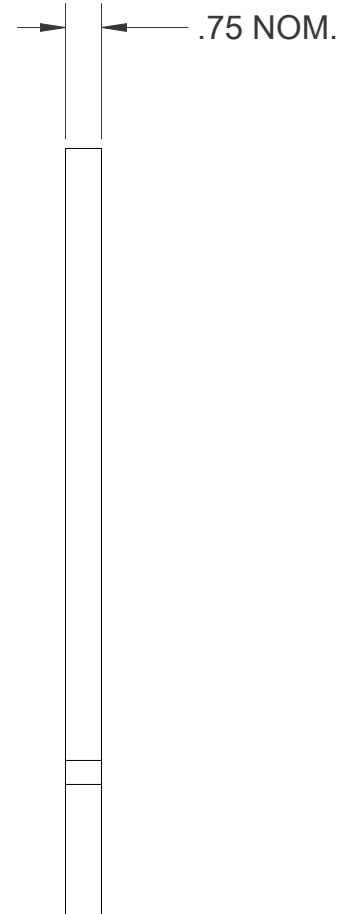
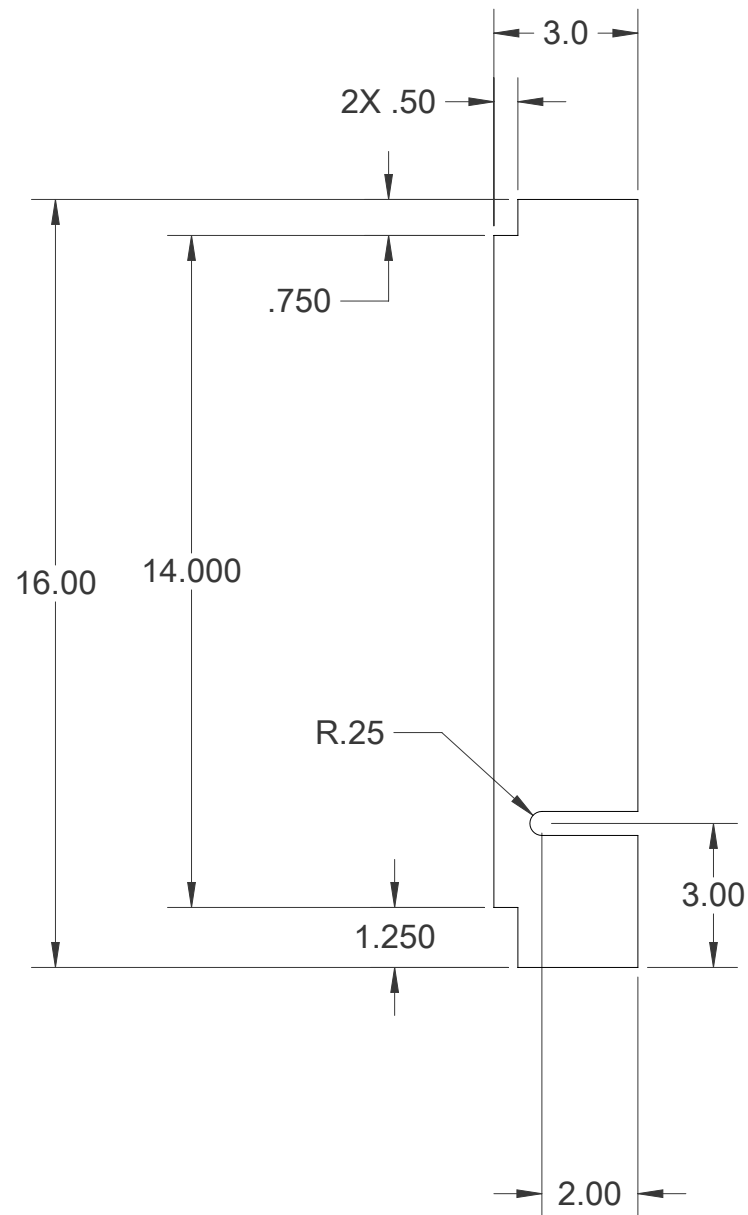
THE CONTENTS OF THIS DRAWING INCLUDE CONFIDENTIAL INFORMATION WHICH IS THE SOLE PROPERTY OF MP DESIGN, LLC (DBA WOOD SHOP MIKE) ANY USE, DISCLOSURE OR REPRODUCTION OF THIS DRAWING, IN WHOLE OR IN PART, WITHOUT THE PRIOR WRITTEN AUTHORIZATION OF MP DESIGN, LLC (DBA WOOD SHOP MIKE) IS STRICTLY PROHIBITED.


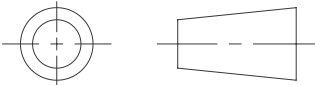


DO NOT SCALE FROM DRAWING IMPERIAL DRAWING ALL DIMENSIONS IN INCHES TOLERANCES UNLESS OTHERWISE SPECIFIED LINEAR X ± 1/4 X.X ± 1/8 X.XX ± 1/16 X.XXX ± 1/32 ANGULAR ±P	APPROVALS DRAWN M.POORMAN	DATE 5-27-2014	 WOOD SHOP MIKE Raleigh, North Carolina United States of America www.woodshopmike.com woodshopmikestudio.etsy.com
	DESIGN M.POORMAN	DATE 2-20-2014	
THIRD ANGLE PROJECTION 	NEXT ASSY www.woodshopmike.com	SYSTEM SYSTEM	SIZE B
		DRAWING NO. <h1>TV-99-15</h1>	REV 00
		SCALE 1:4	MATL 3/4" BIRCH PLY.
		SHEET 1	OF 1

CONFIDENTIALITY

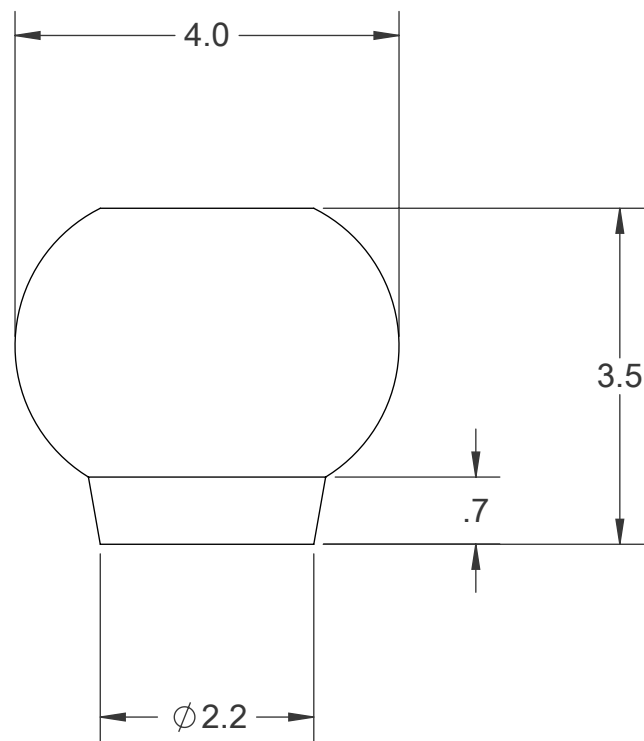
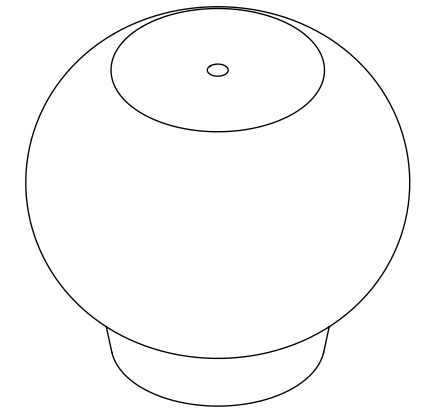
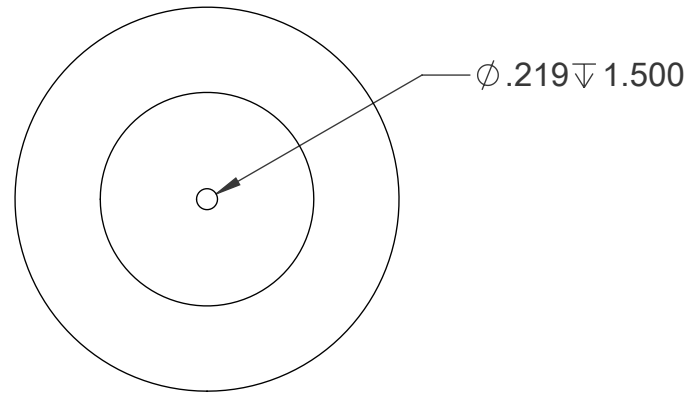
THE CONTENTS OF THIS DRAWING INCLUDE CONFIDENTIAL INFORMATION WHICH IS THE SOLE PROPERTY OF MP DESIGN, LLC (DBA WOOD SHOP MIKE) ANY USE, DISCLOSURE OR REPRODUCTION OF THIS DRAWING, IN WHOLE OR IN PART, WITHOUT THE PRIOR WRITTEN AUTHORIZATION OF MP DESIGN, LLC (DBA WOOD SHOP MIKE) IS STRICTLY PROHIBITED.




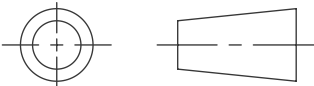
DO NOT SCALE FROM DRAWING IMPERIAL DRAWING ALL DIMENSIONS IN INCHES TOLERANCES UNLESS OTHERWISE SPECIFIED LINEAR X ± 1/4 X.X ± 1/8 X.XX ± 1/16 X.XXX ± 1/32 ANGULAR ±P	APPROVALS DRAWN M.POORMAN	DATE 5-27-2014	 WOOD SHOP MIKE Raleigh, North Carolina United States of America www.woodshopmike.com woodshopmikestudio.etsy.com
	DESIGN M.POORMAN	DATE 2-20-2014	
THIRD ANGLE PROJECTION 	NEXT ASSY www.woodshopmike.com	SYSTEM www.woodshopmike.com	SIZE B
DRAWING NO. TV-99-16		REV 00	SCALE 1:4 MATL 3/4" BIRCH PLY. SHEET 1 OF 1

CONFIDENTIALITY

THE CONTENTS OF THIS DRAWING INCLUDE CONFIDENTIAL INFORMATION WHICH IS THE SOLE PROPERTY OF MP DESIGN, LLC (DBA WOOD SHOP MIKE) ANY USE, DISCLOSURE OR REPRODUCTION OF THIS DRAWING, IN WHOLE OR IN PART, WITHOUT THE PRIOR WRITTEN AUTHORIZATION OF MP DESIGN, LLC (DBA WOOD SHOP MIKE) IS STRICTLY PROHIBITED.

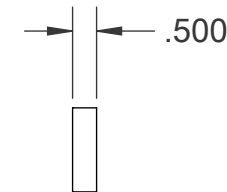
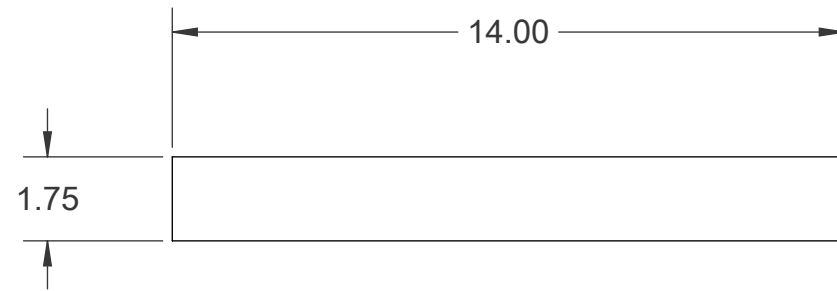
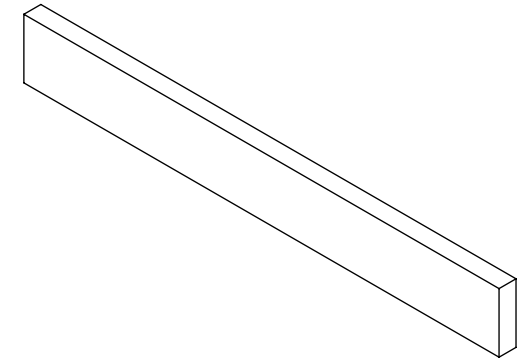


NOTE:
MAKE FROM HARDWOOD MATCHING CASE.


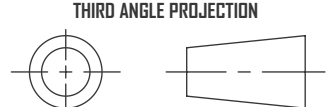
DO NOT SCALE FROM DRAWING IMPERIAL DRAWING ALL DIMENSIONS IN INCHES TOLERANCES UNLESS OTHERWISE SPECIFIED LINEAR X ± 1/4 X.X ± 1/8 X.XX ± 1/16 X.XXX ± 1/32 ANGULAR ±P	APPROVALS DRAWN M.POORMAN	DATE 5-27-2014	 WOOD SHOP MIKE Raleigh, North Carolina United States of America www.woodshopmike.com woodshopmikestudio.etsy.com
	DESIGN M.POORMAN	DATE 2-20-2014	
	NEXT ASSY www.woodshopmike.com	SYSTEM www.woodshopmike.com	SIZE B
		DRAWING NO. <h1>TV-99-17</h1>	REV 00
		SCALE 1:2	MATL HARD WOOD
		SHEET 1 OF 1	

CONFIDENTIALITY

THE CONTENTS OF THIS DRAWING INCLUDE CONFIDENTIAL INFORMATION WHICH IS THE SOLE PROPERTY OF MP DESIGN, LLC (DBA WOOD SHOP MIKE) ANY USE, DISCLOSURE OR REPRODUCTION OF THIS DRAWING, IN WHOLE OR IN PART, WITHOUT THE PRIOR WRITTEN AUTHORIZATION OF MP DESIGN, LLC (DBA WOOD SHOP MIKE) IS STRICTLY PROHIBITED.

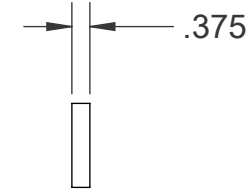
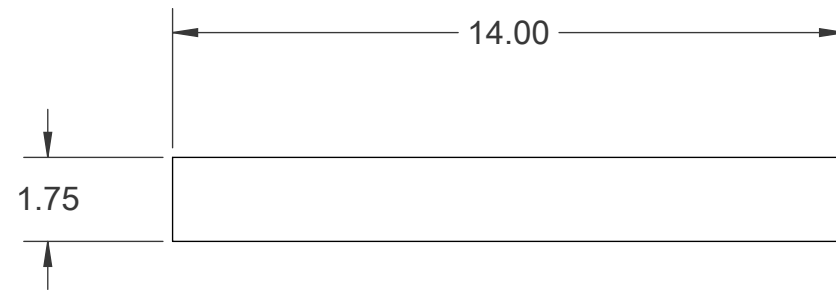
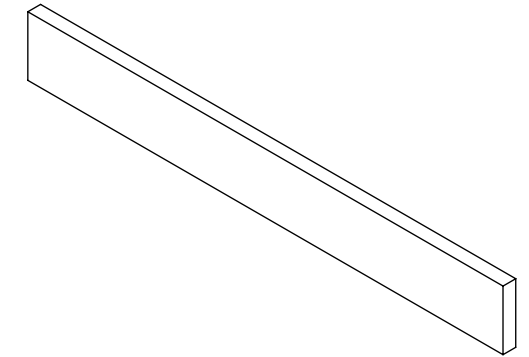


NOTE:
MAKE FROM HARDWOOD MATCHING CASE


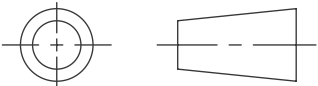
DO NOT SCALE FROM DRAWING IMPERIAL DRAWING ALL DIMENSIONS IN INCHES TOLERANCES UNLESS OTHERWISE SPECIFIED LINEAR X ± 1/4 X.X ± 1/8 X.XX ± 1/16 X.XXX ± 1/32 ANGULAR ±P	APPROVALS DRAWN M.POORMAN	DATE 5-27-2014	 WOOD SHOP MIKE Raleigh, North Carolina United States of America www.woodshopmike.com woodshopmikestudio.etsy.com
	DESIGN M.POORMAN	2-20-2014	
	NEXT ASSY www.woodshopmike.com	SYSTEM www.woodshopmike.com	SIZE B
		DRAWING NO. TV-99-18	REV 00
		SCALE 1:4	MATL HARD WOOD
		SHEET 1	OF 1

CONFIDENTIALITY

THE CONTENTS OF THIS DRAWING INCLUDE CONFIDENTIAL INFORMATION WHICH IS THE SOLE PROPERTY OF MP DESIGN, LLC (DBA WOOD SHOP MIKE) ANY USE, DISCLOSURE OR REPRODUCTION OF THIS DRAWING, IN WHOLE OR IN PART, WITHOUT THE PRIOR WRITTEN AUTHORIZATION OF MP DESIGN, LLC (DBA WOOD SHOP MIKE) IS STRICTLY PROHIBITED.

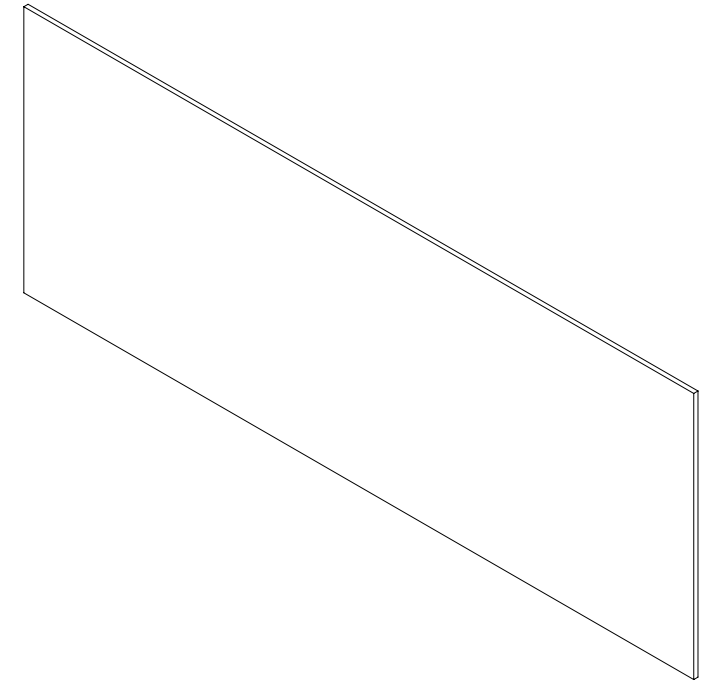
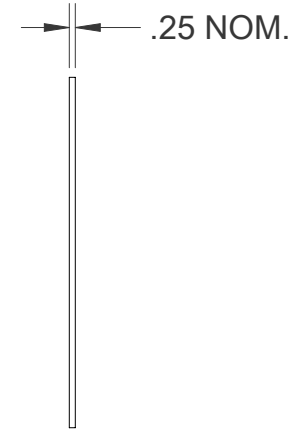
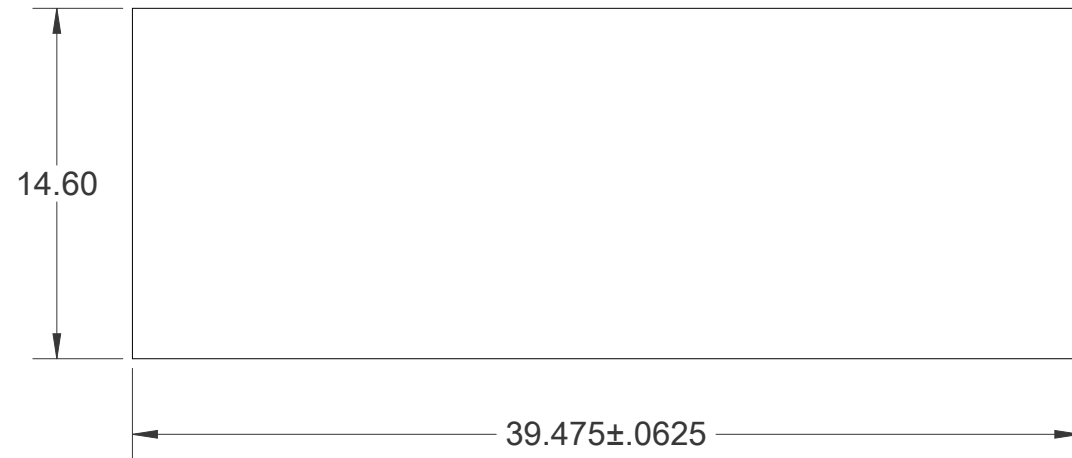


NOTE:
MAKE FROM HARDWOOD MATCHING CASE


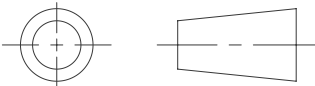
DO NOT SCALE FROM DRAWING IMPERIAL DRAWING ALL DIMENSIONS IN INCHES TOLERANCES UNLESS OTHERWISE SPECIFIED LINEAR X ± 1/4 X.X ± 1/8 X.XX ± 1/16 X.XXX ± 1/32 ANGULAR ±P	APPROVALS DRAWN M.POORMAN	DATE 5-27-2014	 WOOD SHOP MIKE Raleigh, North Carolina United States of America www.woodshopmike.com woodshopmikestudio.etsy.com
	DESIGN M.POORMAN	2-20-2014	
THIRD ANGLE PROJECTION 	NEXT ASSY www.woodshopmike.com	SYSTEM www.woodshopmike.com	SIZE B
		DRAWING NO. TV-99-19	REV 00
		SCALE 1:4	MATL HARD WOOD
		SHEET 1	OF 1

CONFIDENTIALITY

THE CONTENTS OF THIS DRAWING INCLUDE CONFIDENTIAL INFORMATION WHICH IS THE SOLE PROPERTY OF MP DESIGN, LLC (DBA WOOD SHOP MIKE) ANY USE, DISCLOSURE OR REPRODUCTION OF THIS DRAWING, IN WHOLE OR IN PART, WITHOUT THE PRIOR WRITTEN AUTHORIZATION OF MP DESIGN, LLC (DBA WOOD SHOP MIKE) IS STRICTLY PROHIBITED.

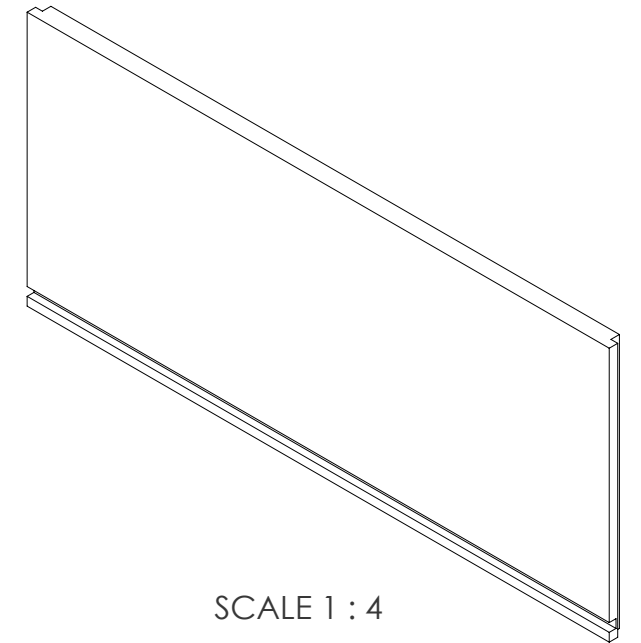
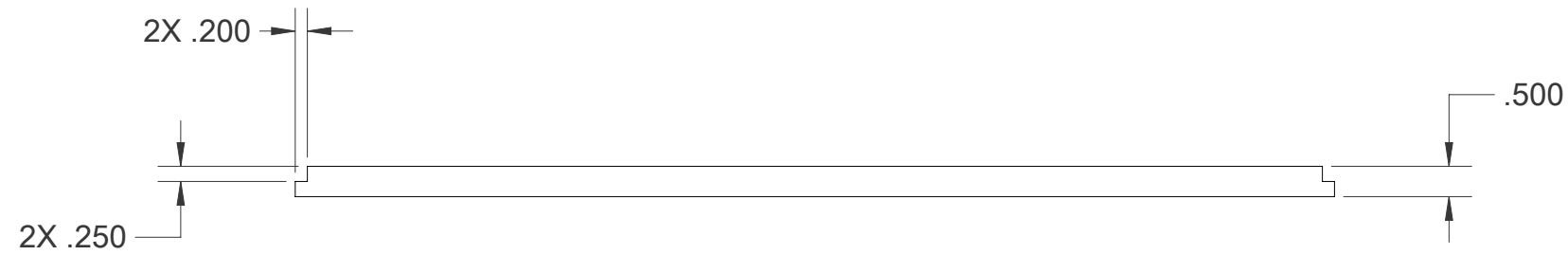


NOTE:
MAKE FROM LUAN

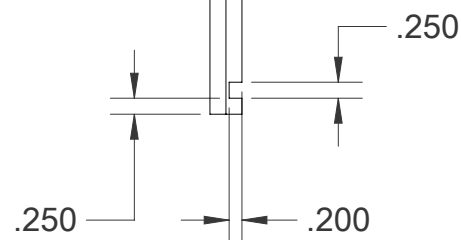
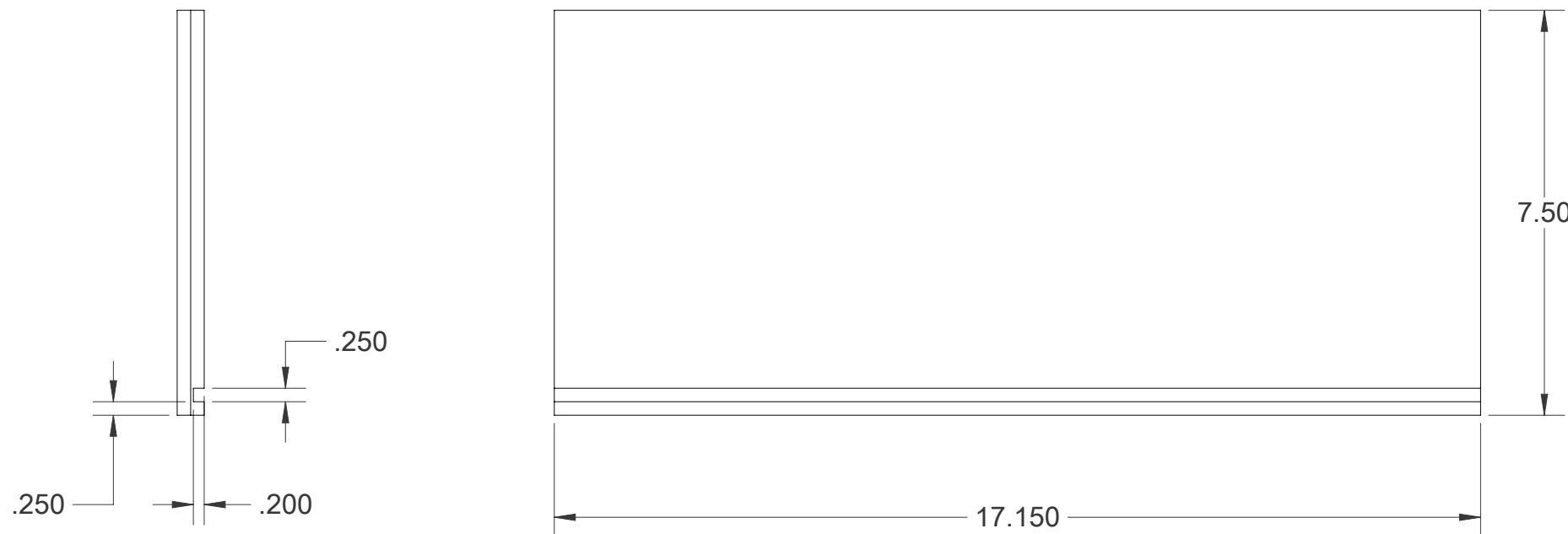
DO NOT SCALE FROM DRAWING IMPERIAL DRAWING ALL DIMENSIONS IN INCHES TOLERANCES UNLESS OTHERWISE SPECIFIED LINEAR X ± 1/4 X.X ± 1/8 X.XX ± 1/16 X.XXX ± 1/32 ANGULAR ±P	APPROVALS DRAWN M.POORMAN	DATE 5-27-014	 WOOD SHOP MIKE Raleigh, North Carolina United States of America www.woodshopmike.com woodshopmikestudio.etsy.com		
	DESIGN M.POORMAN	2-20-2014		TITLE <h1>BACK</h1>	
THIRD ANGLE PROJECTION 	NEXT ASSY www.woodshopmike.com	SYSTEM	SIZE B	DRAWING NO. TV-99-20	REV 00
SCALE 1:8		MATL LUAN	SHEET 1 OF 1		

CONFIDENTIALITY


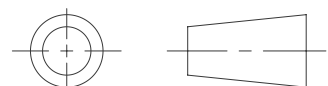
THE CONTENTS OF THIS DRAWING INCLUDE CONFIDENTIAL INFORMATION WHICH IS THE SOLE PROPERTY OF MP DESIGN, LLC (DBA WOOD SHOP MIKE) ANY USE, DISCLOSURE OR REPRODUCTION OF THIS DRAWING, IN WHOLE OR IN PART, WITHOUT THE PRIOR WRITTEN AUTHORIZATION OF MP DESIGN, LLC (DBA WOOD SHOP MIKE) IS STRICTLY PROHIBITED.



SCALE 1 : 4

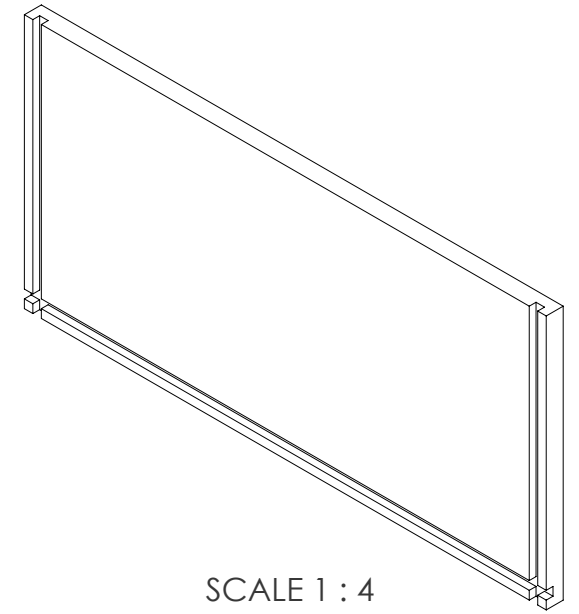
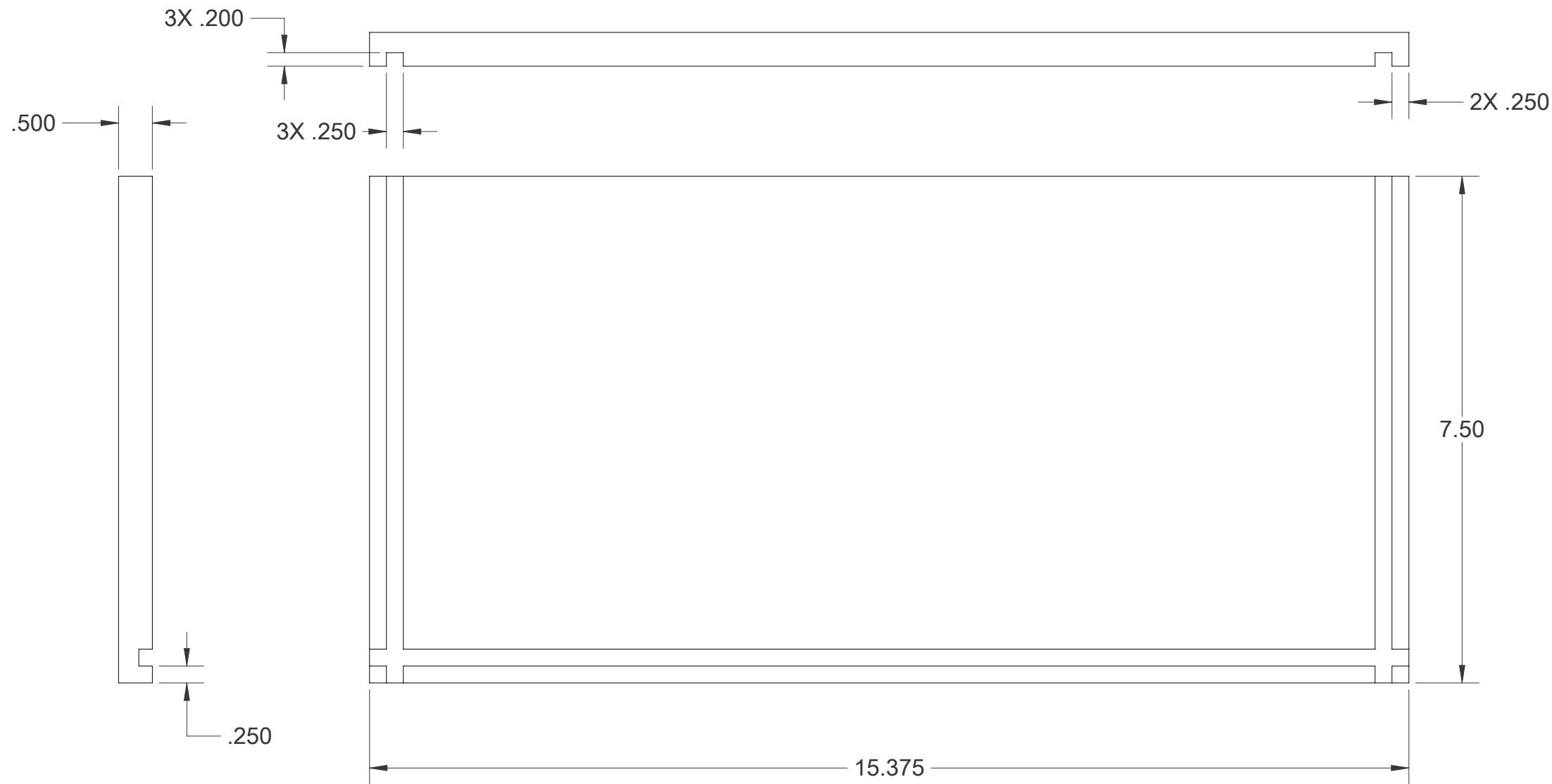


NOTE:
MAKE FROM BALTIC BIRCH PLYWOOD
MILL DRAWER BOTTOM SLOT TO FIT LUAN

DO NOT SCALE FROM DRAWING IMPERIAL DRAWING ALL DIMENSIONS IN INCHES TOLERANCES UNLESS OTHERWISE SPECIFIED LINEAR X ± 1/4 X.X ± 1/8 X.XX ± 1/16 X.XXX ± 1/32 ANGULAR ± P°	APPROVALS DRAWN M.POORMAN	DATE 5-27-2014	 WOOD SHOP MIKE Raleigh, North Carolina United States of America www.woodshopmike.com woodshopmikestudio.etsy.com
	DESIGN M.POORMAN	DATE 2-20-2014	
THIRD ANGLE PROJECTION 	NEXT ASSY www.woodshopmike.com	SYSTEM www.woodshopmike.com	SIZE B
		DRAWING NO. TV-99-21	REV 00
		SCALE 1:3	MATL 1/2 BALTIC BIRCH
		SHEET 1	OF 1


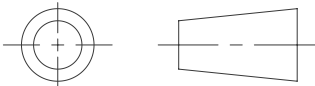
CONFIDENTIALITY

THE CONTENTS OF THIS DRAWING INCLUDE CONFIDENTIAL INFORMATION WHICH IS THE SOLE PROPERTY OF MP DESIGN, LLC (DBA WOOD SHOP MIKE) ANY USE, DISCLOSURE OR REPRODUCTION OF THIS DRAWING, IN WHOLE OR IN PART, WITHOUT THE PRIOR WRITTEN AUTHORIZATION OF MP DESIGN, LLC (DBA WOOD SHOP MIKE) IS STRICTLY PROHIBITED.



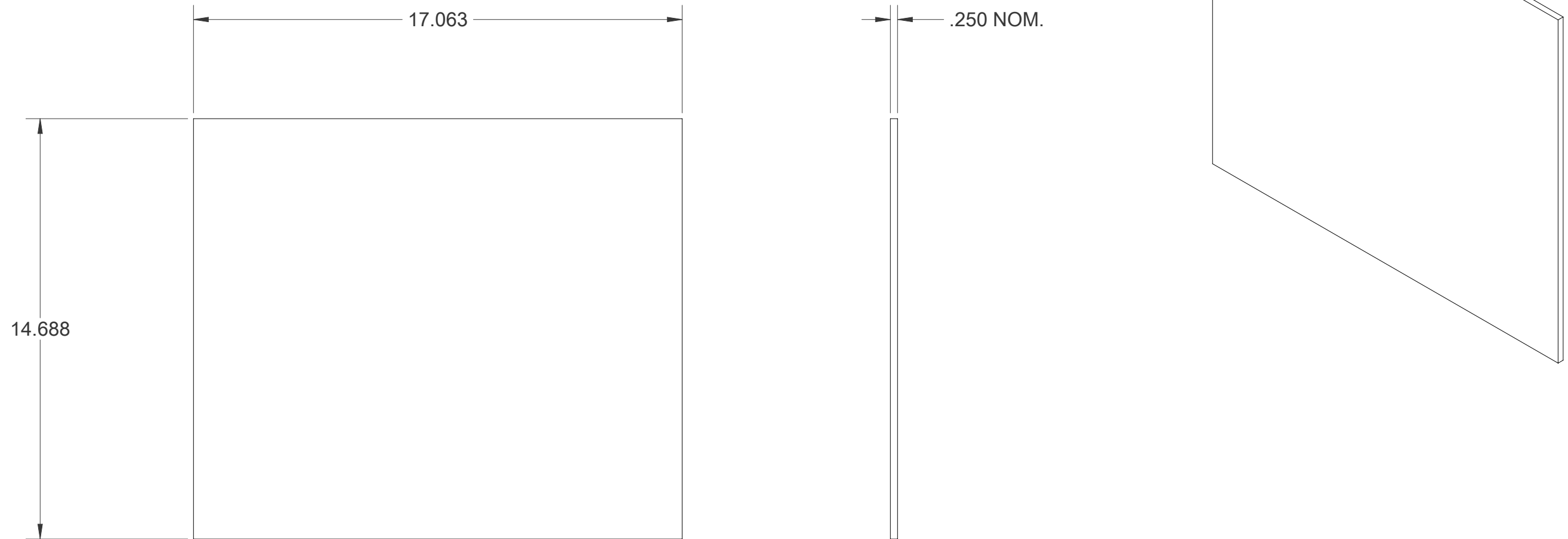
SCALE 1 : 4

NOTE:
 MAKE FROM BALTIC BIRCH PLYWOOD
 MILL DRAWER BOTTOM SLOT TO FIT LUAN


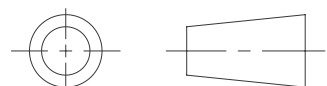
DO NOT SCALE FROM DRAWING IMPERIAL DRAWING ALL DIMENSIONS IN INCHES TOLERANCES UNLESS OTHERWISE SPECIFIED LINEAR X ± 1/4 X.X ± 1/8 X.XX ± 1/16 X.XXX ± 1/32 ANGULAR ± 1°	APPROVALS DRAWN M.POORMAN	DATE 5-27-2014	 WOOD SHOP MIKE Raleigh, North Carolina United States of America www.woodshopmike.com woodshopmikestudio.etsy.com		
	DESIGN M.POORMAN	2-20-2014		TITLE DRAWER BOX, SIDES	
THIRD ANGLE PROJECTION 	NEXT ASSY www.woodshopmike.com	SYSTEM www.woodshopmike.com	SIZE B	DRAWING NO. TV-99-22	REV 00
SCALE 1:2		MATL 1/2" BALTIC BIRCH	SHEET 1 OF 1		

CONFIDENTIALITY

THE CONTENTS OF THIS DRAWING INCLUDE CONFIDENTIAL INFORMATION WHICH IS THE SOLE PROPERTY OF MP DESIGN, LLC (DBA WOOD SHOP MIKE) ANY USE, DISCLOSURE OR REPRODUCTION OF THIS DRAWING, IN WHOLE OR IN PART, WITHOUT THE PRIOR WRITTEN AUTHORIZATION OF MP DESIGN, LLC (DBA WOOD SHOP MIKE) IS STRICTLY PROHIBITED.

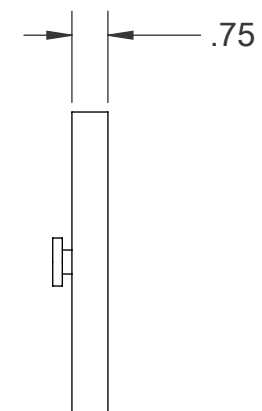
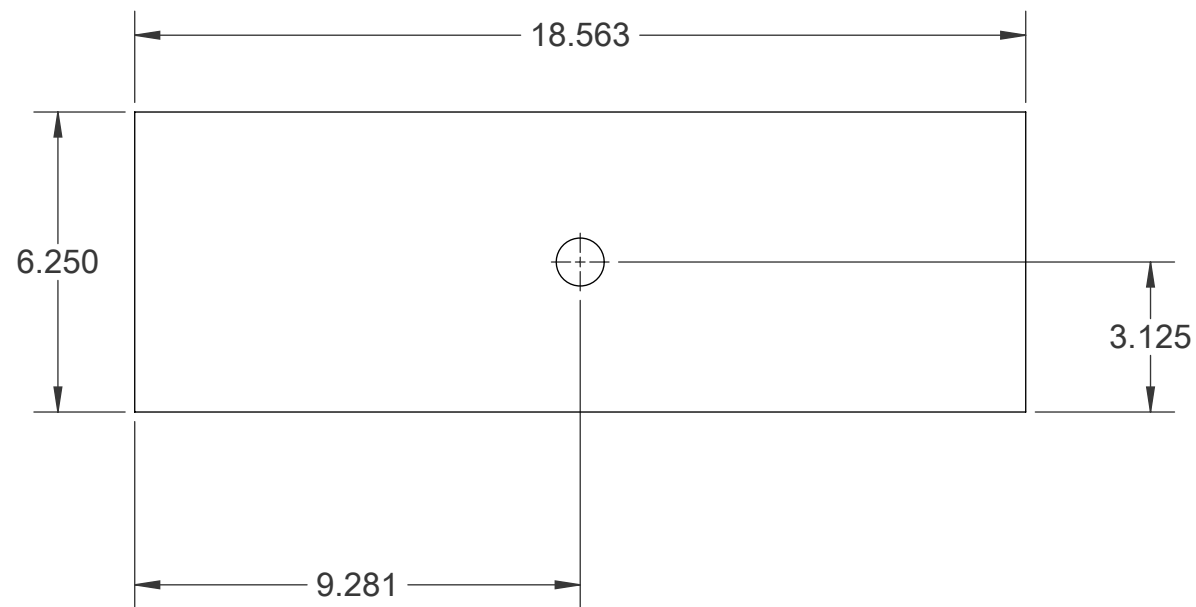
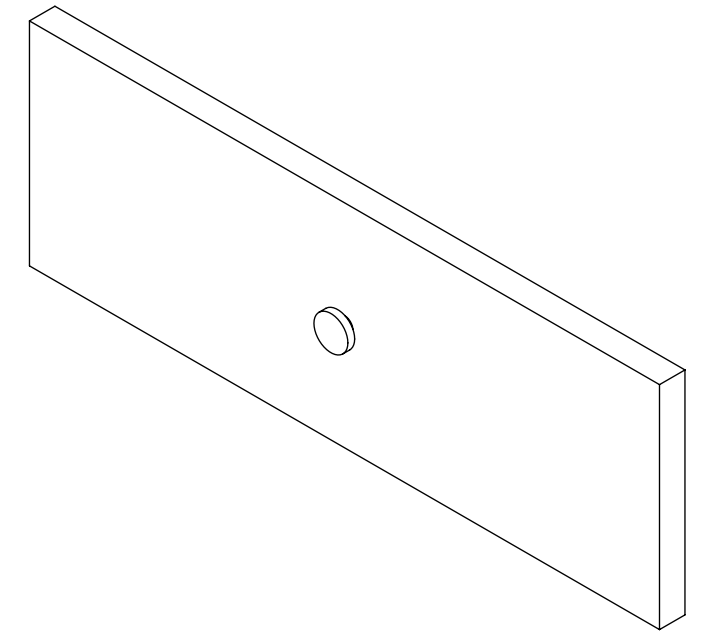


NOTE:
MAKE FROM LUAN


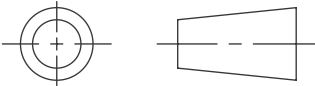
DO NOT SCALE FROM DRAWING IMPERIAL DRAWING ALL DIMENSIONS IN INCHES TOLERANCES UNLESS OTHERWISE SPECIFIED LINEAR X ± 1/4 X.X ± 1/8 X.XX ± 1/16 X.XXX ± 1/32 ANGULAR ±P	APPROVALS DRAWN M.POORMAN	DATE 5-27-2014	 WOOD SHOP MIKE Raleigh, North Carolina United States of America www.woodshopmike.com woodshopmikestudio.etsy.com		
	DESIGN M.POORMAN	DATE 2-20-2014		TITLE DRAWER BOTTOM	
THIRD ANGLE PROJECTION 	NEXT ASSY www.woodshopmike.com	SYSTEM www.woodshopmike.com	SIZE B	DRAWING NO. TV-99-23	REV 00
SCALE 1:4		MATL LUAN	SHEET 1 OF 1		

CONFIDENTIALITY

THE CONTENTS OF THIS DRAWING INCLUDE CONFIDENTIAL INFORMATION WHICH IS THE SOLE PROPERTY OF MP DESIGN, LLC (DBA WOOD SHOP MIKE) ANY USE, DISCLOSURE OR REPRODUCTION OF THIS DRAWING, IN WHOLE OR IN PART, WITHOUT THE PRIOR WRITTEN AUTHORIZATION OF MP DESIGN, LLC (DBA WOOD SHOP MIKE) IS STRICTLY PROHIBITED.



NOTE:
 MAKE FROM HARDWOOD MATCHING CASE.
 HARDWARE CHOICE IS SPECIFIED BY BUILDER.
 FOLLOW SUGGESTED INSTALLATION INSTRUCTIONS PER HARDWARE MFG.

DO NOT SCALE FROM DRAWING IMPERIAL DRAWING ALL DIMENSIONS IN INCHES TOLERANCES UNLESS OTHERWISE SPECIFIED LINEAR X ± 1/4 X.X ± 1/8 X.XX ± 1/16 X.XXX ± 1/32 ANGULAR ±1°	APPROVALS DRAWN M.POORMAN	DATE 5-27-2014	 WOOD SHOP MIKE Raleigh, North Carolina United States of America www.woodshopmike.com woodshopmikestudio.etsy.com
	DESIGN M.POORMAN	DATE 2-20-2014	
	NEXT ASSY www.woodshopmike.com	SYSTEM www.woodshopmike.com	SIZE B
		DRAWING NO. <h2 style="text-align: center;">TV-99-24</h2>	REV <h2 style="text-align: center;">00</h2>
		SCALE 1:4	MATL HARD WOOD
		SHEET 1	OF 1