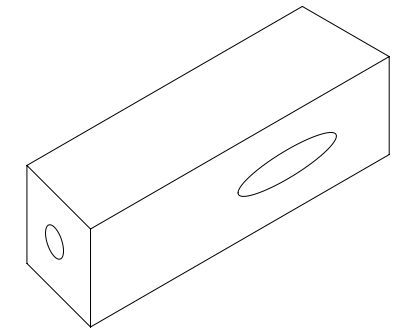
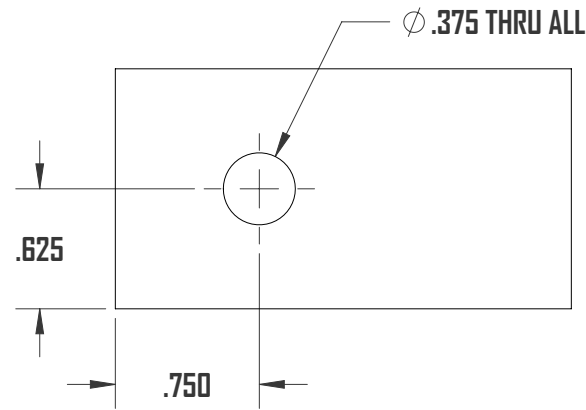
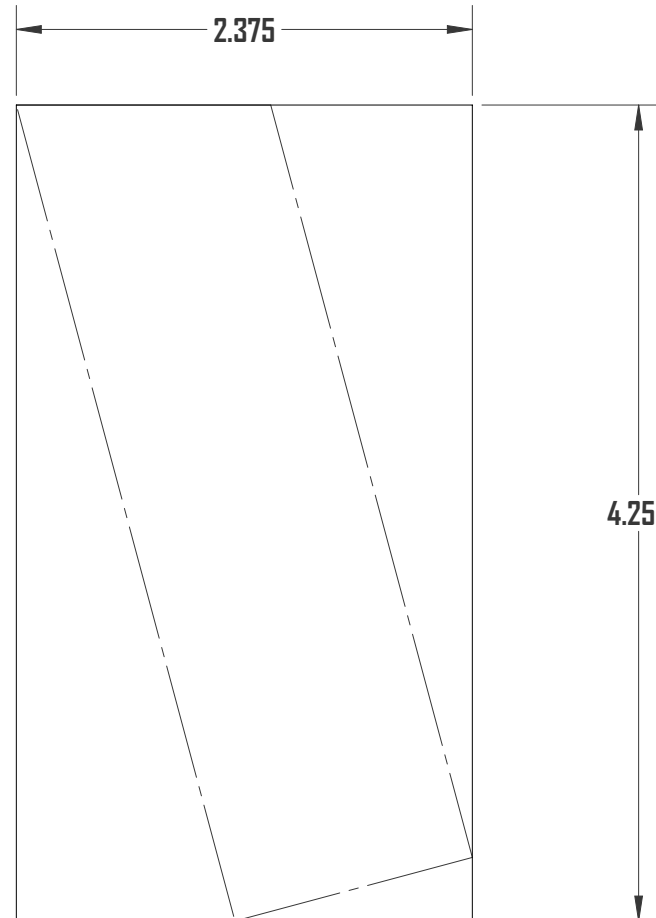
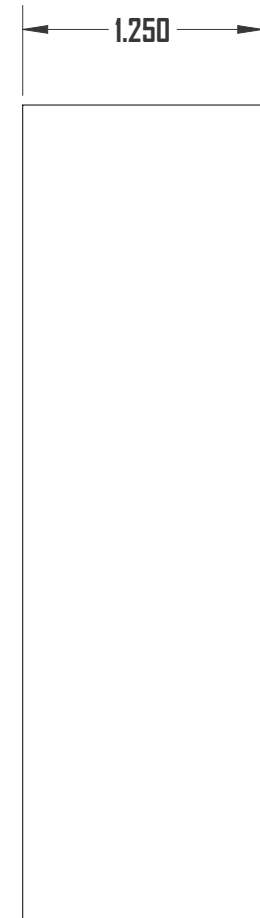


CONFIDENTIALITY

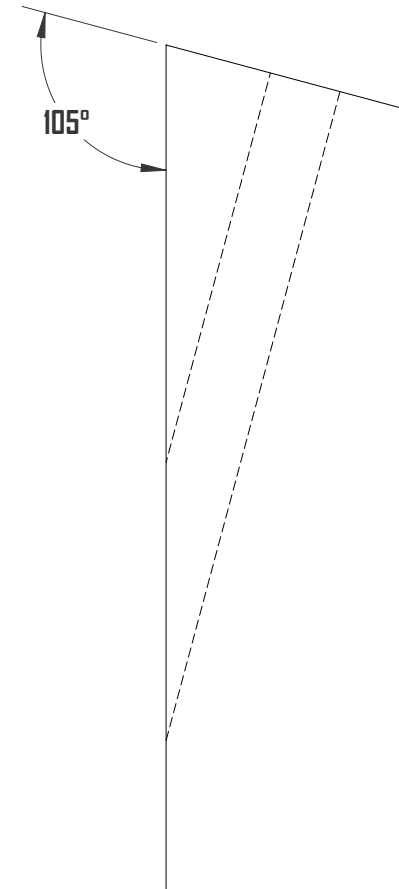
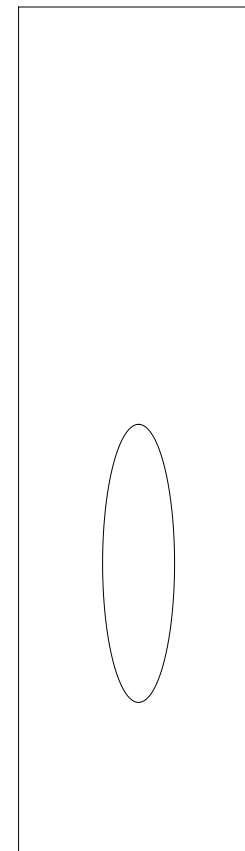
THE CONTENTS OF THIS DRAWING INCLUDE CONFIDENTIAL INFORMATION WHICH IS THE SOLE PROPERTY OF MP DESIGN, LLC (DBA WOOD SHOP MIKE) ANY USE, DISCLOSURE OR REPRODUCTION OF THIS DRAWING, IN WHOLE OR IN PART, WITHOUT THE PRIOR WRITTEN AUTHORIZATION OF MP DESIGN, LLC (DBA WOOD SHOP MIKE) IS STRICTLY PROHIBITED.


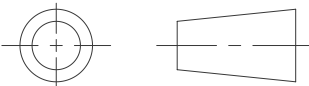


SCALE 1 : 2



15°
THIS VIEW SHOWS HOW TO CUT OUT
POCKET HOLE JIG



DO NOT SCALE FROM DRAWING IMPERIAL DRAWING ALL DIMENSIONS IN INCHES TOLERANCES UNLESS OTHERWISE SPECIFIED LINEAR X ± 1/4 X.X ± 1/8 X.XX ± 1/16 ANGULAR ± 1°	APPROVALS DRAWN M.POORMAN	DATE 9-15-2014	 WOOD SHOP MIKE Raleigh, North Carolina United States of America woodshopmike.blogspot.com woodshopmikestudio.etsy.com		
	DESIGN M.POORMAN	DATE 9-15-2014		TITLE <h1>diy POCKET HOLE JIG</h1>	
THIRD ANGLE PROJECTION 	NEXT ASSY SYSTEM	www.woodshopmike.blogspot.com	SIZE B	DRAWING NO. PK-99-19	REV 00
SCALE 1:1		MATL IPE OR SCRAP	SHEET 1 OF 1		